

# LP2950,LP2951

*LP2950/LP2951 Series of Adjustable Micropower Voltage Regulators*



Literature Number: SNVS764M

## LP2950/LP2951

# Series of Adjustable Micropower Voltage Regulators

### General Description

The LP2950 and LP2951 are micropower voltage regulators with very low quiescent current (75 $\mu$ A typ.) and very low dropout voltage (typ. 40mV at light loads and 380mV at 100mA). They are ideally suited for use in battery-powered systems. Furthermore, the quiescent current of the LP2950/LP2951 increases only slightly in dropout, prolonging battery life.

The LP2950-5.0 is available in the surface-mount D-Pak package, and in the popular 3-pin TO-92 package for pin-compatibility with older 5V regulators. The 8-lead LP2951 is available in plastic, ceramic dual-in-line, LLP, or metal can packages and offers additional system functions.

One such feature is an error flag output which warns of a low output voltage, often due to falling batteries on the input. It may be used for a power-on reset. A second feature is the logic-compatible shutdown input which enables the regulator to be switched on and off. Also, the part may be pin-strapped for a 5V, 3V, or 3.3V output (depending on the version), or programmed from 1.24V to 29V with an external pair of resistors.

Careful design of the LP2950/LP2951 has minimized all contributions to the error budget. This includes a tight initial tolerance (.5% typ.), extremely good load and line regulation

(.05% typ.) and a very low output voltage temperature coefficient, making the part useful as a low-power voltage reference.

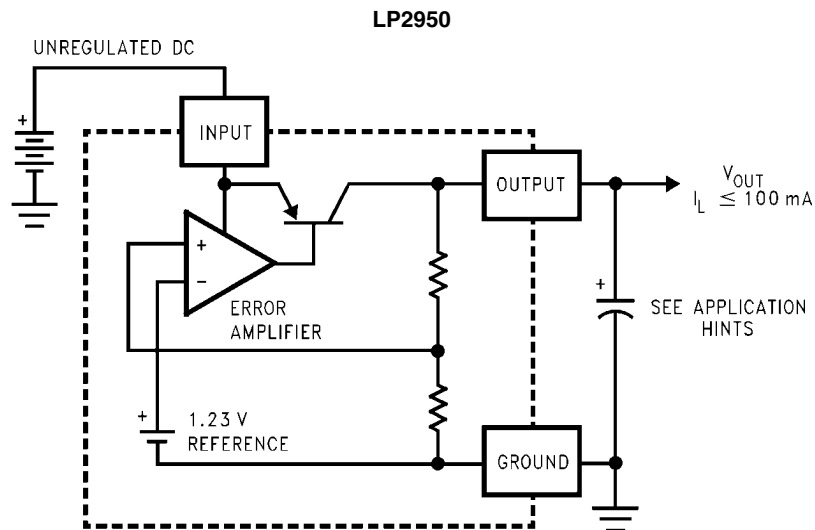
### Features

- 5V, 3V, and 3.3V versions available
- High accuracy output voltage
- Guaranteed 100mA output current
- Extremely low quiescent current
- Low dropout voltage
- Extremely tight load and line regulation
- Very low temperature coefficient
- Use as Regulator or Reference
- Needs minimum capacitance for stability
- Current and Thermal Limiting
- Stable with low-ESR output capacitors (10m $\Omega$  to 6 $\Omega$ )

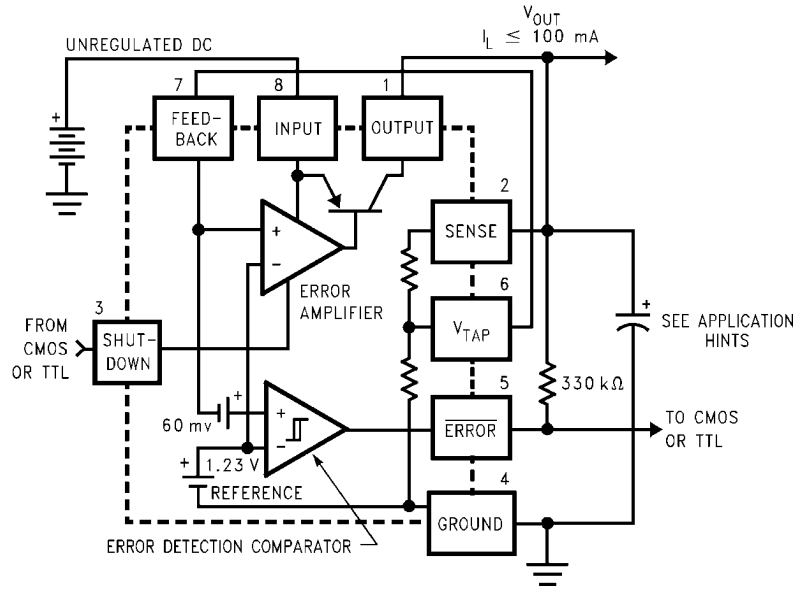
### LP2951 versions only

- Error flag warns of output dropout
- Logic-controlled electronic shutdown
- Output programmable from 1.24 to 29V

### Block Diagram and Typical Applications



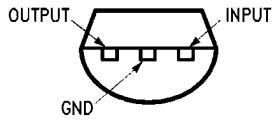
LP2951



854601

Connection Diagrams

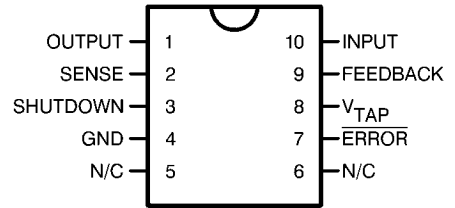
TO-92 Plastic Package (Z)



Bottom View

854602

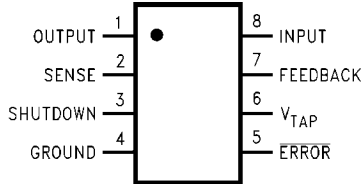
10-Lead Ceramic Surface-Mount Package (WG)



Top View

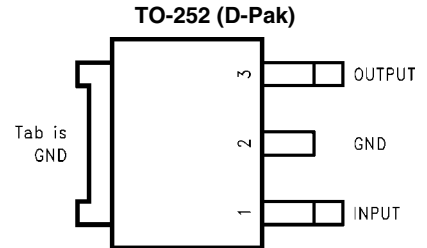
854664

Dual-In-Line Packages (N, J)  
Surface-Mount Package (M, MM)



Top View

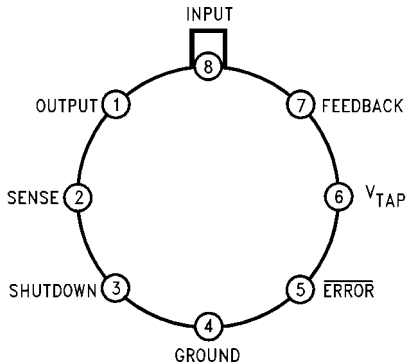
854626



Front View

854670

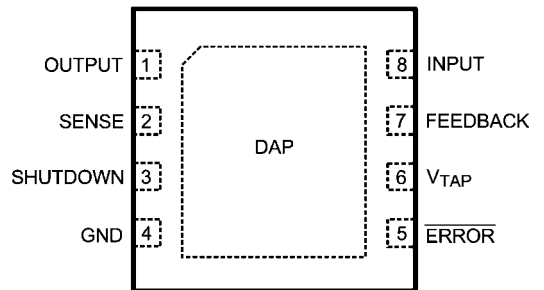
Metal Can Package (H)



Top View

854619

8-Lead LLP



Connect DAP to GND at device pin 4.

Top View

854671

## Ordering Information

Package	Temperature Range	V <sub>OUT</sub>	Part Number	Package Marking	Transport Media	NSC Drawing
TO-92 (Z)	-40 < T <sub>J</sub> < 125	3.0	LP2950ACZ-3.0	2950A CZ3.0	Bag	Z03A
			LP2950CZ-3.0	2950 CZ3.0	Bag	
		3.3	LP2950ACZ-3.3	2950A CZ3.3	Bag	
			LP2950CZ-3.3	2950 CZ3.3	Bag	
		5.0	LP2950ACZ-5.0	2950A CZ5.0	Bag	
			LP2950CZ-5.0	2950 CZ5.0	Bag	
TO-252 (D-Pak)	-40 < T <sub>J</sub> < 125	3.0	LP2950CDT-3.0	LP2950CDT-3.0	75 Units/Rail	TD03B
			LP2950CDTX-3.0		2.5k Units Tape and Reel	
		3.3	LP2950CDT-3.3	LP2950CDT-3.3	75 Units/Rail	
			LP2950CDTX-3.3		2.5k Units Tape and Reel	
		5.0	LP2950CDT-5.0	LP2950CDT-5.0	75 Units/Rail	
			LP2950CDTX-5.0		2.5k Units Tape and Reel	
N (N-08E)	-40 < T <sub>J</sub> < 125	3.0	LP2951ACN-3.0	LP2951ACN-3.0	40 Units/Rail	N08E
			LP2951CN-3.0	LP2951CN-3.0	40 Units/Rail	
		3.3	LP2951ACN-3.3	LP2951ACN-3.3	40 Units/Rail	
			LP2951CN-3.3	LP2951CN-3.3	40 Units/Rail	
		5.0	LP2951ACN	LP2951ACN	40 Units/Rail	
			LP2951CN	LP2951CN	40 Units/Rail	
M (M08A)	-40 < T <sub>J</sub> < 125	3.0	LP2951ACM-3.0	2951ACM30*	95 Units/Rail	M08A
			LP2951ACMX-3.0	(where * is die rev letter)	2.5k Units Tape and Reel	
			LP2951CM-3.0	2951CM30*	95 Units/Rail	
			LP2951CMX-3.0	(where * is die rev letter)	2.5k Units Tape and Reel	
		3.3	LP2951ACM-3.3	2951ACM33*	95 Units/Rail	
			LP2951ACMX-3.3	(where * is die rev letter)	2.5k Units Tape and Reel	
			LP2951CM-3.3	2951CM33*	95 Units/Rail	
			LP2951CMX-3.3	(where * is die rev letter)	2.5k Units Tape and Reel	
		5.0	LP2951ACM	2951ACM*	95 Units/Rail	
			LP2951ACMX	(where * is die rev letter)	2.5k Units Tape and Reel	
			LP2951CM	2951CM*	95 Units/Rail	
			LP2951CMX	(where * is die rev letter)	2.5k Units Tape and Reel	
MM (MUA08A)	-40 < T <sub>J</sub> < 125	3.0	LP2951ACMM-3.0	L0BA	1k Units Tape and Reel	MUA08A
			LP2951ACMMX-3.0		3.5k Units Tape and Reel	
			LP2951CMM-3.0	L0BB	1k Units Tape and Reel	
			LP2951CMMX-3.0		3.5k Units Tape and Reel	
		3.3	LP2951ACMM-3.3	L0CA	1k Units Tape and Reel	
			LP2951ACMMX-3.3		3.5k Units Tape and Reel	
			LP2951CMM-3.3	L0CB	1k Units Tape and Reel	
			LP2951CMMX-3.3		3.5k Units Tape and Reel	
		5.0	LP2951ACMM	L0DA	1k Units Tape and Reel	
			LP2951ACMMX		3.5k Units Tape and Reel	
			LP2951CMM	L0DB	1k Units Tape and Reel	
			LP2951CMMX		3.5k Units Tape and Reel	
J (J08A)	-55 < T <sub>J</sub> < 150	5.0	LP2951J/883	See MIL/AERO Datasheet	40 Units/Rail	J08A
H (H08C)	-55 < T <sub>J</sub> < 150	5.0	LP2951H/883	See MIL/AERO Datasheet	Tray	H08C
WG (WG10A)	-55 < T <sub>J</sub> < 150	5.0	LP2951WG/883	See MIL/AERO Datasheet	Tray	WG10A

Package	Temperature Range	V <sub>OUT</sub>	Part Number	Package Marking	Transport Media	NSC Drawing
8-lead LLP	$-40 < T_J < 125$	3.0	LP2951ACSD-3.0	51AC30	1k Units Tape and Reel	SDC08A
			LP2951ACSDX-3.0		4.5k Units Tape and Reel	
			LP2951CSD-3.0	51AC30B	1k Units Tape and Reel	
			LP2951CSDX-3.0		4.5k Units Tape and Reel	
		3.3	LP2951ACSD-3.3	51AC33	1k Units Tape and Reel	
			LP2951ACSDX-3.3		4.5k Units Tape and Reel	
			LP2951CSD-3.3	51AC33B	1k Units Tape and Reel	
			LP2951CSDX-3.3		4.5k Units Tape and Reel	
		5.0	LP2951ACSD	2951AC	1k Units Tape and Reel	
			LP2951ACSDX		4.5k Units Tape and Reel	
			LP2951CSD	2951ACB	1k Units Tape and Reel	
			LP2951CSDX		4.5k Units Tape and Reel	

## Absolute Maximum Ratings *(Note 1)*

If Military/Aerospace specified devices are required, please contact the National Semiconductor Sales Office/Distributors for availability and specifications.

Input Supply Voltage	-0.3 to +30V
SHUTDOWN Input Voltage, Error Comparator Output Voltage, <i>(Note 9)</i>	
FEEDBACK Input Voltage <i>(Note 9, Note 10)</i>	-1.5 to +30V
Power Dissipation	Internally Limited
Junction Temperature ( $T_J$ )	+150°C
Ambient Storage Temperature	-65° to +150°C
Soldering Dwell Time, Temperature	
Wave	4 seconds, 260°C
Infrared	10 seconds, 240°C
Vapor Phase	75 seconds, 219°C

## ESD Rating

Human Body Model *(Note 18)*

2500V

## Operating Ratings *(Note 1)*

Maximum Input Supply Voltage	30V
Junction Temperature Range ( $T_J$ ) <i>(Note 8)</i>	
LP2950AC-XX, LP2950C-XX	-40° to +125°C
LP2951	-55° to +150°C
LP2951AC-XX, LP2951C-XX	-40° to +125°C

## Electrical Characteristics *(Note 2)*

Parameter	Conditions <i>(Note 2)</i>	LP2951		LP2950AC-XX LP2951AC-XX			LP2950C-XX LP2951C-XX			Units
		Typ	Tested Limit <i>(Note 3)</i> <i>(Note 16)</i>	Typ	Tested Limit <i>(Note 3)</i>	Design Limit <i>(Note 4)</i>	Typ	Tested Limit <i>(Note 3)</i>	Design Limit <i>(Note 4)</i>	
<b>3V Versions <i>(Note 17)</i></b>										
Output Voltage	$T_J = 25^\circ\text{C}$	3.0	3.015 2.985	3.0	3.015 2.985		3.0	3.030 2.970		V max V min
	$-25^\circ\text{C} \leq T_J \leq 85^\circ\text{C}$	3.0		3.0		3.030 2.970	3.0		3.045 2.955	V max V min
	Full Operating Temperature Range	3.0	<b>3.036</b> <b>2.964</b>	3.0		<b>3.036</b> <b>2.964</b>	3.0		<b>3.060</b> <b>2.940</b>	V max V min
Output Voltage	$100\mu\text{A} \leq I_L \leq 100\text{mA}$	3.0	<b>3.045</b>	3.0		<b>3.042</b>	3.0		<b>3.072</b>	V max
	$T_J \leq T_{J\text{MAX}}$		<b>2.955</b>			<b>2.958</b>			<b>2.928</b>	V min
<b>3.3V Versions <i>(Note 17)</i></b>										
Output Voltage	$T_J = 25^\circ\text{C}$	3.3	3.317 3.284	3.3	3.317 3.284		3.3	3.333 3.267		V max V min
	$-25^\circ\text{C} \leq T_J \leq 85^\circ\text{C}$	3.3		3.3		3.333 3.267	3.3		3.350 3.251	V max V min
	Full Operating Temperature Range	3.3	<b>3.340</b> <b>3.260</b>	3.3		<b>3.340</b> <b>3.260</b>	3.3		<b>3.366</b> <b>3.234</b>	V max V min
Output Voltage	$100\mu\text{A} \leq I_L \leq 100\text{mA}$	3.3	<b>3.350</b>	3.3		<b>3.346</b>	3.3		<b>3.379</b>	V max
	$T_J \leq T_{J\text{MAX}}$		<b>3.251</b>			<b>3.254</b>			<b>3.221</b>	V min
<b>5V Versions <i>(Note 17)</i></b>										
Output Voltage	$T_J = 25^\circ\text{C}$	5.0	5.025 4.975	5.0	5.025 4.975		5.0	5.05 4.95		V max V min
	$-25^\circ\text{C} \leq T_J \leq 85^\circ\text{C}$	5.0		5.0		5.05 4.95	5.0		5.075 4.925	V max V min
	Full Operating Temperature Range	5.0	<b>5.06</b> <b>4.94</b>	5.0		<b>5.06</b> <b>4.94</b>	5.0		<b>5.1</b> <b>4.9</b>	V max V min
Output Voltage	$100\mu\text{A} \leq I_L \leq 100\text{mA}$	5.0	<b>5.075</b>	5.0		<b>5.075</b>	5.0		<b>5.12</b>	V max
	$T_J \leq T_{J\text{MAX}}$		<b>4.925</b>			<b>4.925</b>			<b>4.88</b>	V min

Parameter	Conditions (Note 2)	LP2951		LP2950AC-XX LP2951AC-XX			LP2950C-XX LP2951C-XX			Units
		Typ	Tested Limit (Note 3) (Note 16)	Typ	Tested Limit (Note 3)	Design Limit (Note 4)	Typ	Tested Limit (Note 3)	Design Limit (Note 4)	
<b>All Voltage Options</b>										
Output Voltage Temperature Coefficient	(Note 12)	20	120	20		100	50		150	ppm/°C
Line Regulation (Note 14)	$(V_{O,NOM} + 1)V \leq V_{in}$ $\leq 30V$ (Note 15)	0.03	0.1 0.5	0.03	0.1	0.2	0.04	0.2	0.4	% max % max
Load Regulation (Note 14)	$100\mu A \leq I_L \leq 100mA$	0.04	0.1 0.3	0.04	0.1	0.2	0.1	0.2	0.3	% max % max
Dropout Voltage (Note 5)	$I_L = 100\mu A$	50	80 150	50	80	150	50	80	150	mV max mV max
	$I_L = 100mA$	380	450 600	380	450	600	380	450	600	mV max mV max
Ground Current	$I_L = 100\mu A$	75	120 140	75	120	140	75	120	140	$\mu A$ max $\mu A$ max
	$I_L = 100mA$	8	12 14	8	12	14	8	12	14	mA max mA max
Dropout	$V_{in} = (V_{O,NOM} - 0.5)$ V	110	170	110	170		110	170		$\mu A$ max
Ground Current	$I_L = 100\mu A$		200			200			200	$\mu A$ max
Current Limit	$V_{out} = 0$	160	200 220	160	200	220	160	200	220	mA max mA max
Thermal Regulation	(Note 13)	0.05	0.2	0.05	0.2		0.05	0.2		%/W max
Output Noise, 10 Hz to 100 kHz	$C_L = 1\mu F$ (5V Only)	430		430			430			$\mu V$ rms
	$C_L = 200\mu F$	160		160			160			$\mu V$ rms
	$C_L = 3.3\mu F$ (Bypass = 0.01 $\mu F$ Pins 7 to 1 (LP2951))	100		100			100			$\mu V$ rms
<b>8-pin Versions Only</b>		<b>LP2951</b>		<b>LP2951AC-XX</b>			<b>LP2951C-XX</b>			
Reference Voltage		1.23 5	1.25 1.26 1.22 1.2	1.23 5	1.25 1.22	1.26	1.23 5	1.26 1.21	1.27 1.2	V max V max V min V min
Reference Voltage	(Note 7)		1.27 1.19			1.27 1.19			1.285 1.185	V max V min
Feedback Pin Bias Current		20	40 60	20	40	60	20	40	60	nA max nA max
Reference Voltage Temperature Coefficient	(Note 12)	20		20			50			ppm/°C
Feedback Pin Bias Current Temperature Coefficient		0.1		0.1			0.1			nA/°C

Parameter	Conditions (Note 2)	LP2951		LP2950AC-XX LP2951AC-XX			LP2950C-XX LP2951C-XX			Units
		Typ	Tested Limit (Note 3) (Note 16)	Typ	Tested Limit (Note 3)	Design Limit (Note 4)	Typ	Tested Limit (Note 3)	Design Limit (Note 4)	
<b>Error Comparator</b>										
Output Leakage Current	$V_{OH} = 30V$	0.01	1 2	0.01	1	2	0.01	1	2	$\mu A$ max $\mu A$ max
Output Low Voltage	$V_{in} = (V_{ONOM} - 0.5)$ V $I_{OL} = 400\mu A$	150	250 400	150	250	400	150	250	400	mV max mV max
Upper Threshold Voltage	(Note 6)	60	40 25	60	40	25	60	40	25	mV min mV min
Lower Threshold Voltage	(Note 6)	75	95 140	75	95	140	75	95	140	mV max mV max
Hysteresis	(Note 6)	15		15			15			mV
<b>Shutdown Input</b>										
Input Logic Voltage	Low (Regulator ON) High (Regulator OFF)	1.3	0.6 2.0	1.3		0.7 2.0	1.3		0.7 2.0	V V max V min
Shutdown Pin Input Current	$V_{shutdown} = 2.4V$	30	50 100	30	50	100	30	50	100	$\mu A$ max $\mu A$ max
	$V_{shutdown} = 30V$	450	600 750	450	600	750	450	600	750	$\mu A$ max $\mu A$ max
Regulator Output Current in Shutdown	(Note 11)	3	10 20	3	10	20	3	10	20	$\mu A$ max $\mu A$ max

**Note 1:** Absolute Maximum Ratings are limits beyond which damage to the device may occur. Operating Ratings are conditions under which operation of the device is guaranteed. Operating Ratings do not imply guaranteed performance limits. For guaranteed performance limits and associated test conditions, see the Electrical Characteristics tables.

**Note 2:** Unless otherwise specified all limits guaranteed for  $V_{IN} = (V_{ONOM} + 1)V$ ,  $I_L = 100\mu A$  and  $C_L = 1\mu F$  for 5V versions and 2.2 $\mu F$  for 3V and 3.3V versions. Limits appearing in **boldface** type apply over the entire junction temperature range for operation. Limits appearing in normal type apply for  $T_A = T_J = 25^\circ C$ . Additional conditions for the 8-pin versions are FEEDBACK tied to  $V_{TAP}$ , OUTPUT tied to SENSE, and  $V_{SHUTDOWN} \leq 0.8V$ .

**Note 3:** Guaranteed and 100% production tested.

**Note 4:** Guaranteed but not 100% production tested. These limits are not used to calculate outgoing AQL levels.

**Note 5:** Dropout Voltage is defined as the input to output differential at which the output voltage drops 100 mV below its nominal value measured at 1V differential. At very low values of programmed output voltage, the minimum input supply voltage of 2V (2.3V over temperature) must be taken into account.

**Note 6:** Comparator thresholds are expressed in terms of a voltage differential at the Feedback terminal below the nominal reference voltage measured at  $V_{in} = (V_{ONOM} + 1)V$ . To express these thresholds in terms of output voltage change, multiply by the error amplifier gain =  $V_{out}/V_{ref} = (R1 + R2)/R2$ . For example, at a programmed output voltage of 5V, the Error output is guaranteed to go low when the output drops by  $95mV \times 5V/1.235V = 384 mV$ . Thresholds remain constant as a percent of  $V_{out}$  as  $V_{out}$  is varied, with the dropout warning occurring at typically 5% below nominal, 7.5% guaranteed.

**Note 7:**  $V_{ref} \leq V_{out} \leq (V_{in} - 1V)$ ,  $2.3V \leq V_{in} \leq 30V$ ,  $100\mu A \leq I_L \leq 100mA$ ,  $T_J \leq T_{JMAX}$ .

**Note 8:** The junction-to-ambient thermal resistances are as follows: 180°C/W and 160°C/W for the TO-92 package with 0.40 inch and 0.25 inch leads to the printed circuit board (PCB) respectively, 105°C/W for the molded plastic DIP (N), 130°C/W for the ceramic DIP (J), 160°C/W for the molded plastic SOP (M), 200°C/W for the molded plastic MSOP (MM), and 160°C/W for the metal can package (H). The above thermal resistances for the N, J, M, and MM packages apply when the package is soldered directly to the PCB. Junction-to-case thermal resistance for the H package is 20°C/W. Junction-to-case thermal resistance for the TO-252 package is 5.4°C/W. The value of  $\theta_{JA}$  for the LLP package is typically 51°C/W but is dependent on the PCB trace area, trace material, and the number of layers and thermal vias. For details of thermal resistance and power dissipation for the LLP package, refer to Application Note AN-1187.

**Note 9:** May exceed input supply voltage.

**Note 10:** When used in dual-supply systems where the output terminal sees loads returned to a negative supply, the output voltage should be diode-clamped to ground.

**Note 11:**  $V_{shutdown} \geq 2V$ ,  $V_{in} \leq 30V$ ,  $V_{out} = 0$ , Feedback pin tied to  $V_{TAP}$ .

**Note 12:** Output or reference voltage temperature coefficient is defined as the worst case voltage change divided by the total temperature range.

**Note 13:** Thermal regulation is defined as the change in output voltage at a time T after a change in power dissipation is applied, excluding load or line regulation effects. Specifications are for a 50mA load pulse at  $V_{IN} = 30V$  (1.25W pulse) for  $T = 10ms$ .

**Note 14:** Regulation is measured at constant junction temperature, using pulse testing with a low duty cycle. Changes in output voltage due to heating effects are covered under the specification for thermal regulation.

**Note 15:** Line regulation for the LP2951 is tested at 150°C for  $I_L = 1mA$ . For  $I_L = 100\mu A$  and  $T_J = 125^\circ C$ , line regulation is guaranteed by design to 0.2%. See Typical Performance Characteristics for line regulation versus temperature and load current.

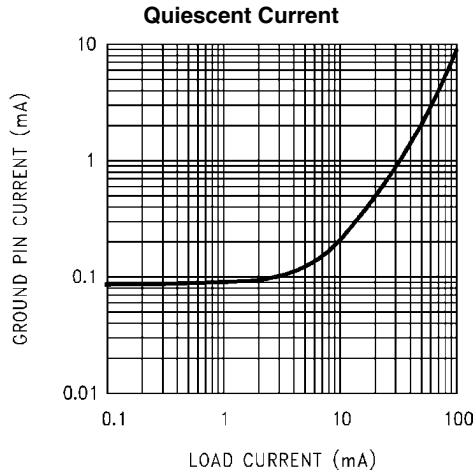


**Note 16:** A Military RETS specification is available on request. At time of printing, the LP2951 RETS specification complied with the boldface limits in this column. The LP2951H, WG, or J may also be procured as Standard Military Drawing Spec #5962-3870501MGA, MXA, or MPA.

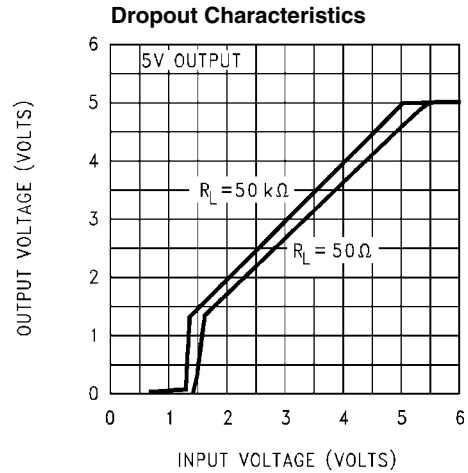
**Note 17:** All LP2950 devices have the nominal output voltage coded as the last two digits of the part number. In the LP2951 products, the 3.0V and 3.3V versions are designated by the last two digits, but the 5V version is denoted with no code at this location of the part number (refer to ordering information table).

**Note 18:** Human Body Model (HBM) is 1.5k $\Omega$  in series with 100pF; LP2950 passes 2.5 kV(HBM) ESD; LP2951 passes 2.5 kV(HBM) except: Feedback pin passes 1kV(HBM) and Shutdown pin passes 2kV(HBM).

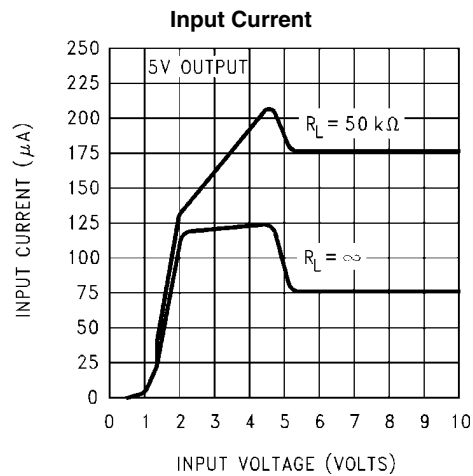
# Typical Performance Characteristics



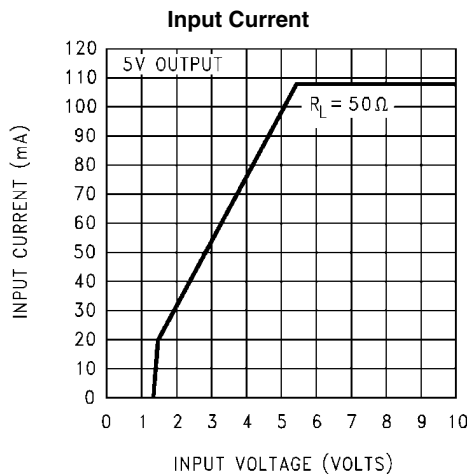
854627



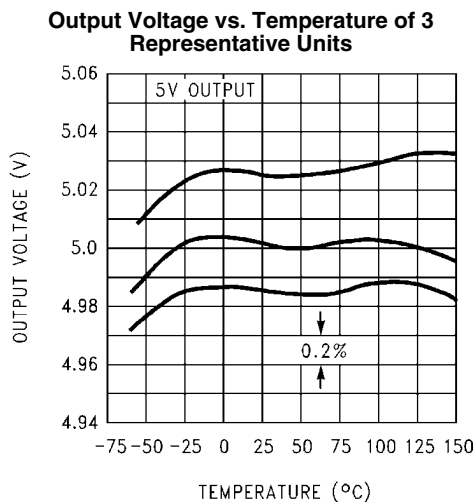
854628



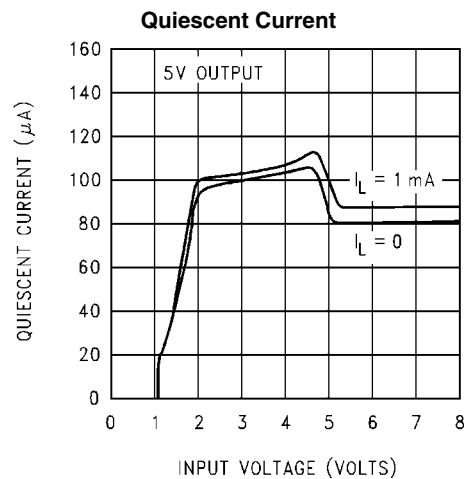
854629



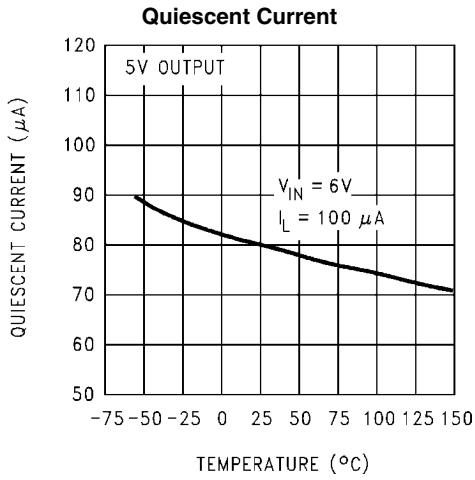
854630



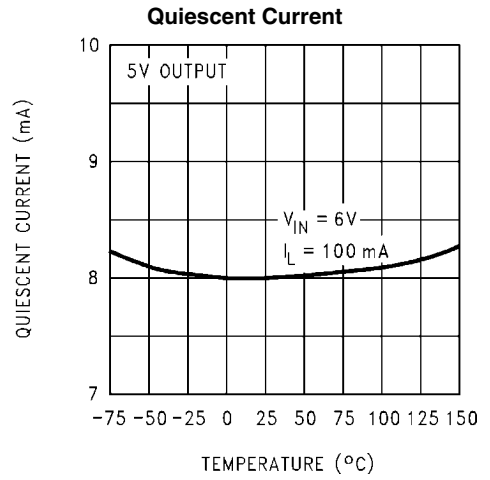
854631



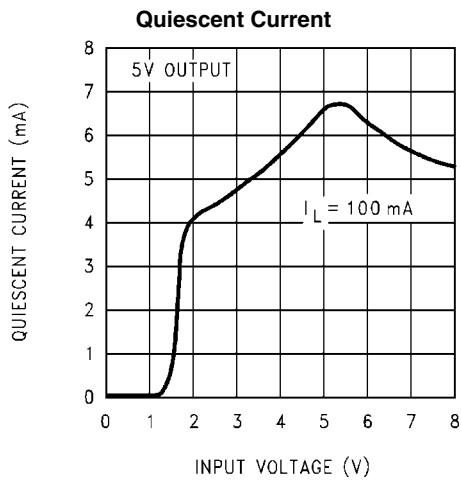
854632



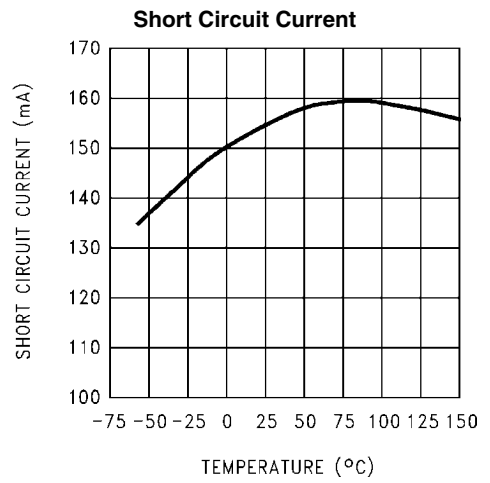
854633



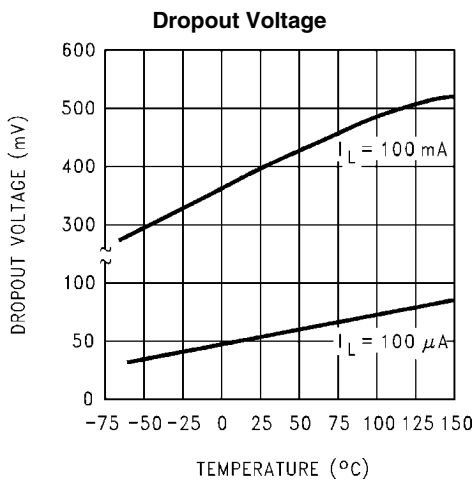
854634



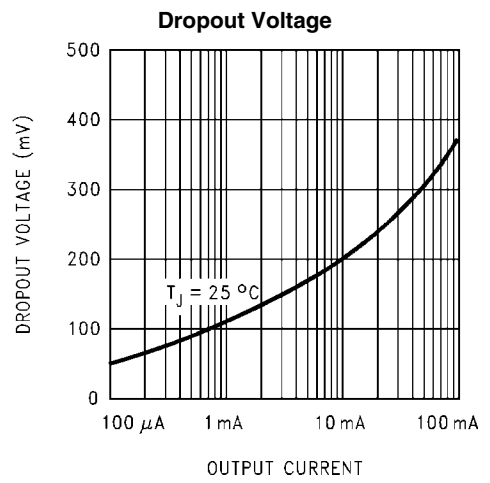
854635



854636

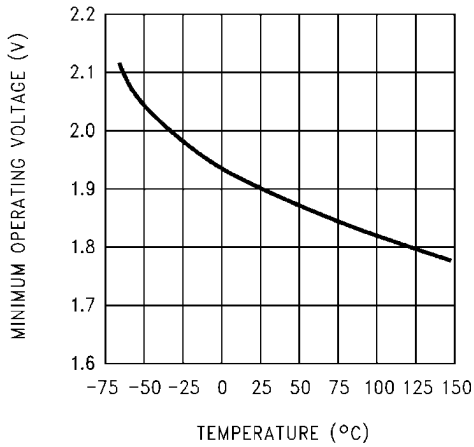


854637



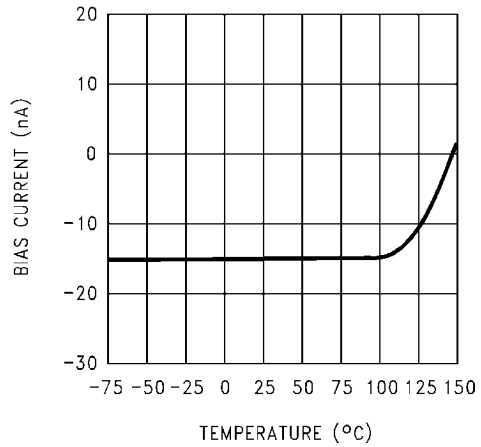
854638

**LP2951 Minimum Operating Voltage**



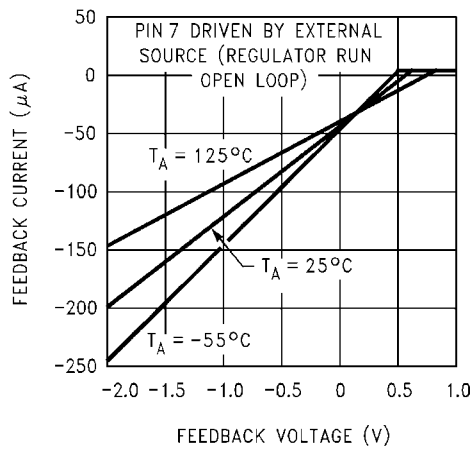
854639

**LP2951 Feedback Bias Current**



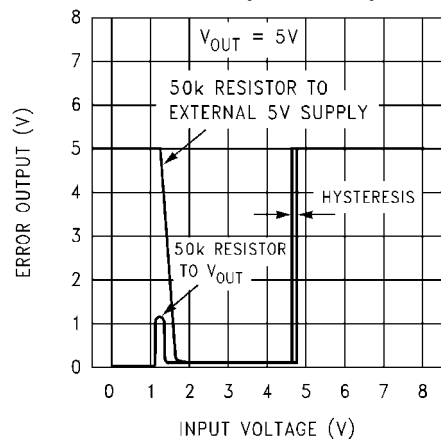
854640

**LP2951 Feedback Pin Current**



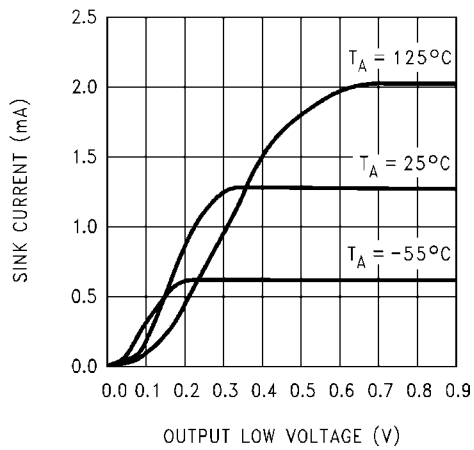
854641

**LP2951 Error Comparator Output**



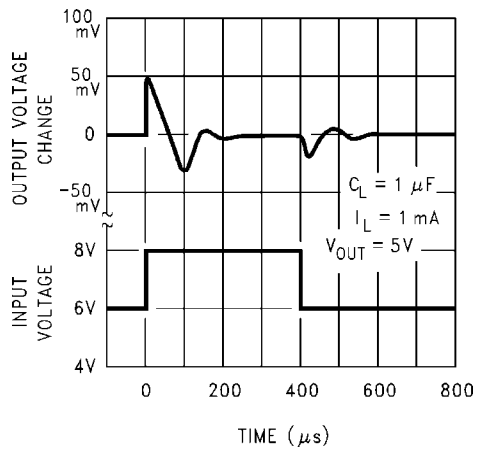
854642

**LP2951 Comparator Sink Current**

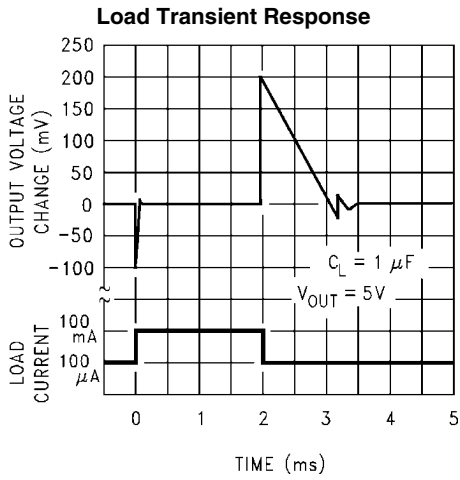


854643

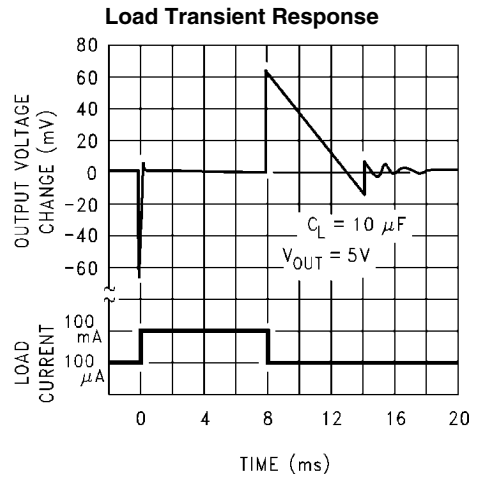
**Line Transient Response**



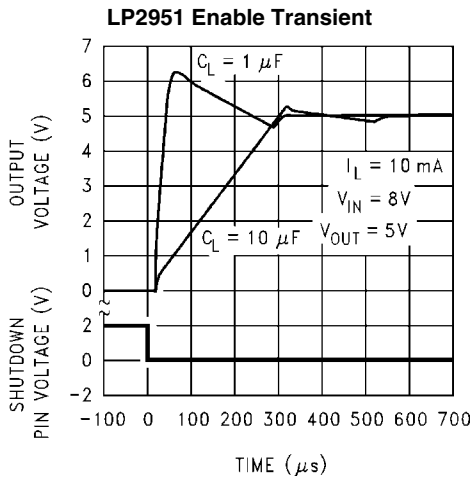
854644



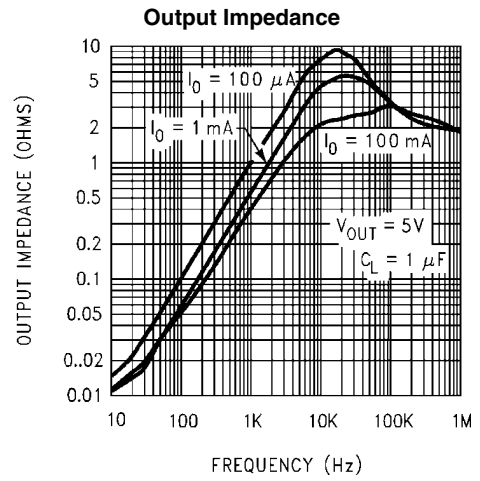
854645



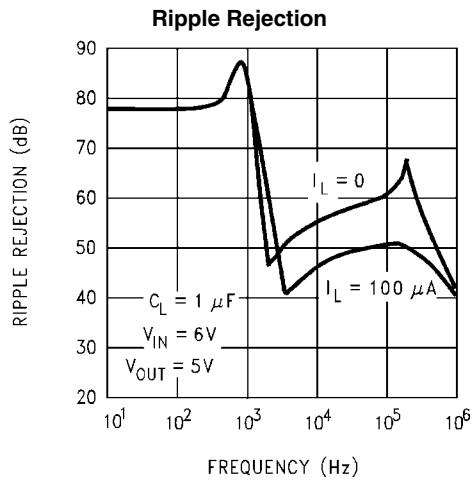
854646



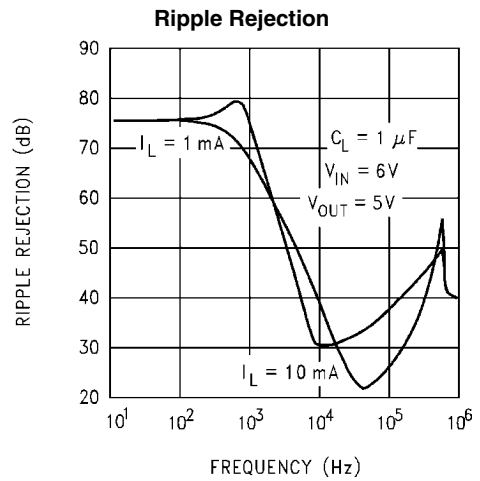
854647



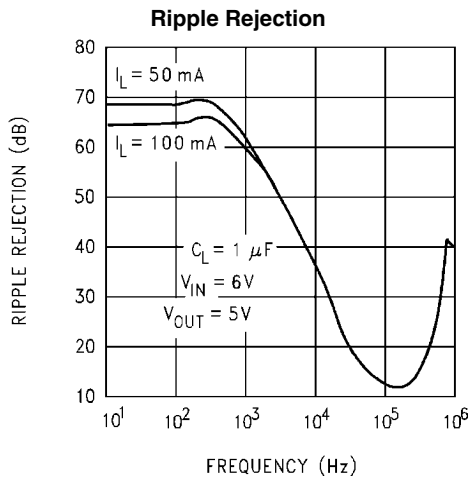
854648



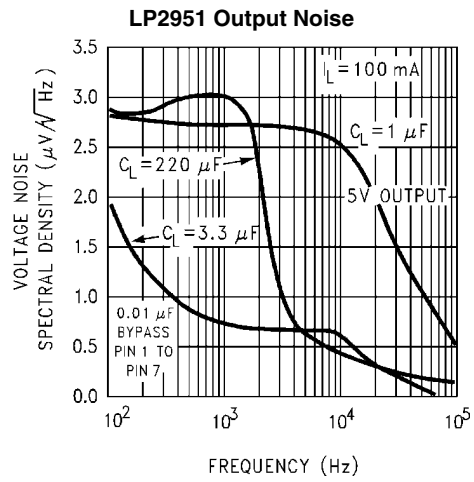
854649



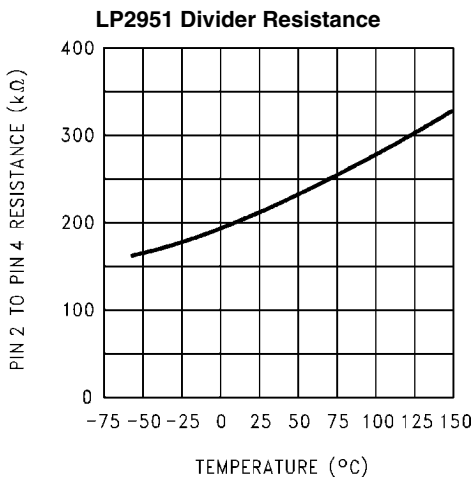
854650



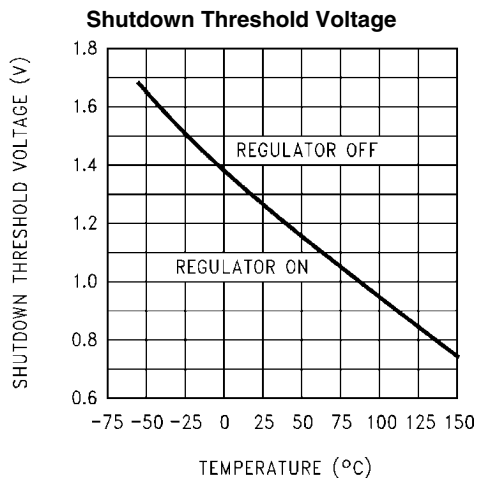
854651



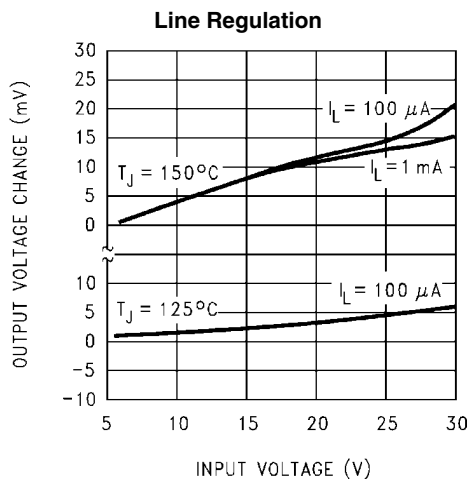
854652



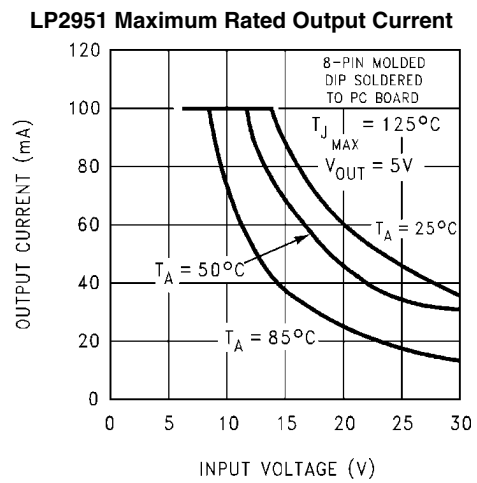
854653



854654

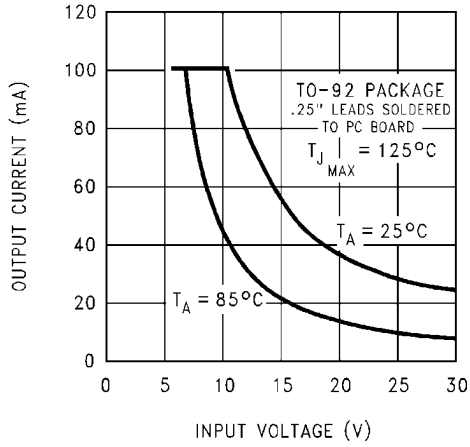


854655



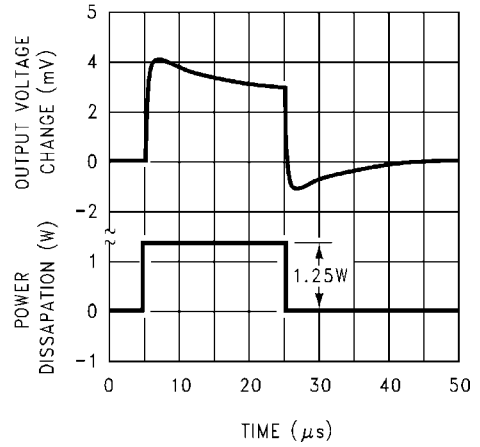
854656

LP2950 Maximum Rated Output Current



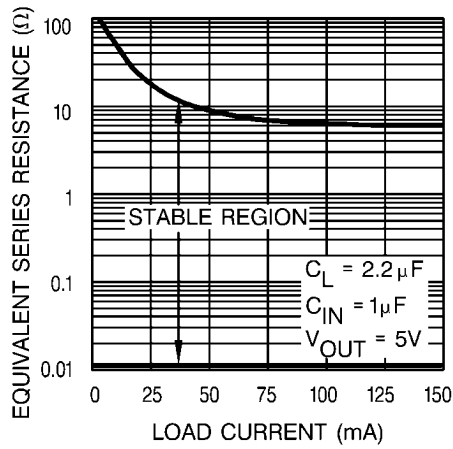
854657

Thermal Response



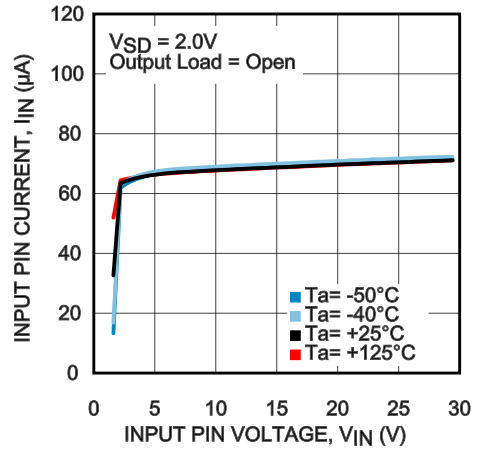
854658

Output Capacitor ESR Range



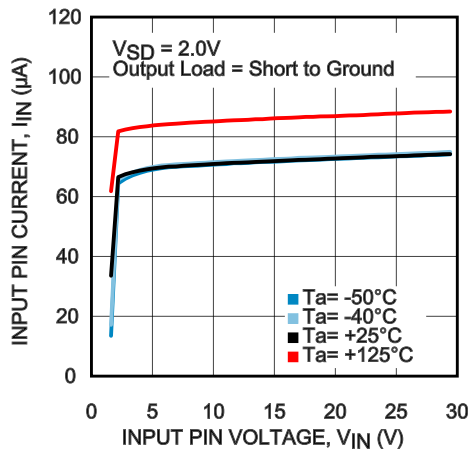
854663

LP2951 Input Pin Current vs Input Voltage



854672

LP2951 Input Pin Current vs Input Voltage

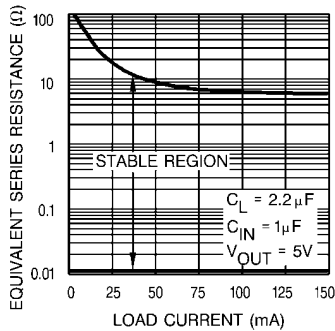


854673

## Application Hints

### OUTPUT CAPACITOR REQUIREMENTS

A 1.0  $\mu\text{F}$  (or greater) capacitor is required between the output and ground for stability at output voltages of 5V or higher. At lower output voltages, more capacitance is required (2.  $2\mu\text{F}$  or more is recommended for 3.0V and 3.3V versions). Without this capacitor the part will oscillate. Most types of tantalum or aluminum electrolytic work fine here; even film types work but are not recommended for reasons of cost. Many aluminum electrolytics have electrolytes that freeze at about  $-30^{\circ}\text{C}$ , so solid tantalums are recommended for operation below  $-25^{\circ}\text{C}$ . The important parameters of the capacitor are an ESR of about  $5\Omega$  or less and a resonant frequency above 500 kHz. The value of this capacitor may be increased without limit.



854663

FIGURE 1. Output Capacitor ESR Range

The reason for the lower ESR limit is that the loop compensation of the feedback loop relies on the capacitance value and the ESR value of the output capacitor to provide the zero that gives added phase lead (See Figure 1).

$$f_z = (1 / (2 \times \pi \times C_{OUT} \times ESR))$$

Using the 2.2  $\mu\text{F}$  value from the *Output Capacitor ESR Range* curve (Figure 1), a useful range for  $f_z$  can be estimated:

$$f_{z(MIN)} = (1 / (2 \times \pi \times 2.2 \mu\text{F} \times 5\Omega)) = 14.5 \text{ kHz}$$

$$f_{z(MAX)} = (1 / (2 \times \pi \times 2.2 \mu\text{F} \times 0.05\Omega)) = 318 \text{ kHz}$$

For ceramic capacitors, the low ESR produces a zero at a frequency that is too high to be useful, so meaningful phase lead does not occur. A ceramic output capacitor can be used if a series resistance is added (recommended value of resistance about  $0.1\Omega$  to  $2\Omega$ ) to simulate the needed ESR. Only X5R, X7R, or better, MLCC types should be used, and should have a DC voltage rating at least twice the  $V_{OUT(NOM)}$  value.

At lower values of output current, less output capacitance is required for stability. The capacitor can be reduced to 0.33  $\mu\text{F}$  for currents below 10 mA or 0.1  $\mu\text{F}$  for currents below 1 mA. Using the adjustable versions at voltages below 5V runs the error amplifier at lower gains so that *more* output capacitance is needed. For the worst-case situation of a 100mA load at 1.23V output (Output shorted to Feedback) a 3.3  $\mu\text{F}$  (or greater) capacitor should be used.

Unlike many other regulators, the LP2950 will remain stable and in regulation with no load in addition to the internal voltage divider. This is especially important in CMOS RAM keep-alive applications. When setting the output voltage of the LP2951

versions with external resistors, a minimum load of 1  $\mu\text{A}$  is recommended.

Applications having conditions that may drive the LP2950/51 into nonlinear operation require special consideration. Non-linear operation will occur when the output voltage is held low enough to force the output stage into output current limiting while trying to pull the output voltage up to the regulated value. The internal loop response time will control how long it takes for the device to regain linear operation when the output has returned to the normal operating range. There are three significant nonlinear conditions that need to be considered, all can force the output stage into output current limiting mode, all can cause the output voltage to over-shoot with low value output capacitors when the condition is removed, and the recommended generic solution is to set the output capacitor to a value not less than 10  $\mu\text{F}$ . Although the 10  $\mu\text{F}$  value for  $C_{OUT}$  may not eliminate the output voltage over-shoot in all cases, it should lower it to acceptable levels ( $<10\%$  of  $V_{OUT(NOM)}$ ) in the majority of cases. In all three of these conditions, applications with lighter load currents are more susceptible to output voltage over-shoot than applications with higher load currents.

- 1) At power-up, with the input voltage rising faster than output stage can charge the output capacitor.

$$V_{IN} t_{RISE(MIN)} > ((C_{OUT} / 100 \text{ mA}) \times \Delta V_{IN})$$

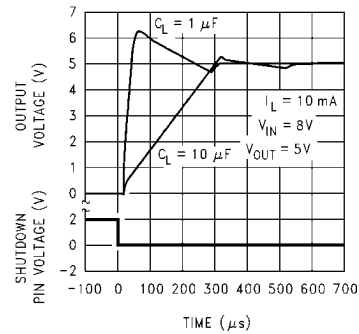
Where  $\Delta V_{IN} = V_{OUT(NOM)} + 1.0\text{V}$

- 2) Recovery from an output short circuit to ground condition.

$$C_{OUT(MIN)} \approx (160 \text{ mA} - I_{LOAD(NOM)}) / ((V_{OUT(NOM)} / 10) / 25 \mu\text{s})$$

- 3) Toggling the LP2951 SHUTDOWN pin from high (i.e. OFF) to low (i.e. ON).

$$C_{OUT(MIN)} \approx (160 \text{ mA} - I_{LOAD(NOM)}) / ((V_{OUT(NOM)} / 10) / 25 \mu\text{s})$$



854647

FIGURE 2. LP2951 Enable Transient

### INPUT CAPACITOR REQUIREMENTS

A minimum 1  $\mu\text{F}$  tantalum, ceramic or aluminum electrolytic capacitor should be placed from the LP2950/LP2951 input pin to ground if there is more than 10 inches of wire between the input and the AC filter capacitor or if a battery is used as the input.

### ERROR DETECTION COMPARATOR OUTPUT

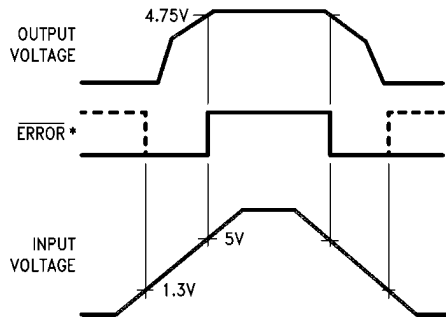
The comparator produces a logic low output whenever the LP2951 output falls out of regulation by more than approximately 5%. This figure is the comparator's built-in offset of about 60mV divided by the 1.235 reference voltage. (Refer to



the block diagram in the front of the datasheet.) This trip level remains “5% below normal” regardless of the programmed output voltage of the 2951. For example, the error flag trip level is typically 4.75V for a 5V output or 11.4V for a 12V output. The out of regulation condition may be due either to low input voltage, current limiting, or thermal limiting.

Figure 3 below gives a timing diagram depicting the  $\overline{\text{ERROR}}$  signal and the regulated output voltage as the LP2951 input is ramped up and down. For 5V versions, the  $\overline{\text{ERROR}}$  signal becomes valid (low) at about 1.3V input. It goes high at about 5V input (the input voltage at which  $V_{\text{OUT}} = 4.75\text{V}$ ). Since the LP2951’s dropout voltage is load-dependent (see curve in typical performance characteristics), the **input** voltage trip point (about 5V) will vary with the load current. The **output** voltage trip point (approx. 4.75V) does not vary with load.

The error comparator has an open-collector output which requires an external pull up resistor. This resistor may be returned to the output or some other supply voltage depending on system requirements. In determining a value for this resistor, note that while the output is rated to sink  $400\mu\text{A}$ , this sink current adds to battery drain in a low battery condition. Suggested values range from 100k to 1 M $\Omega$ . The resistor is not required if this output is unused.



\*When  $V_{\text{IN}} \leq 1.3\text{V}$ , the error flag pin becomes a high impedance, and the error flag voltage rises to its pull-up voltage. Using  $V_{\text{OUT}}$  as the pull-up voltage (see Figure 4), rather than an external 5V source, will keep the error flag voltage under 1.2V (typ.) in this condition. The user may wish to divide down the error flag voltage using equal-value resistors (10k $\Omega$  suggested), to ensure a low-level logic signal during any fault condition, while still allowing a valid high logic level during normal operation.

FIGURE 3.  $\overline{\text{ERROR}}$  Output Timing

**PROGRAMMING THE OUTPUT VOLTAGE (LP2951)**

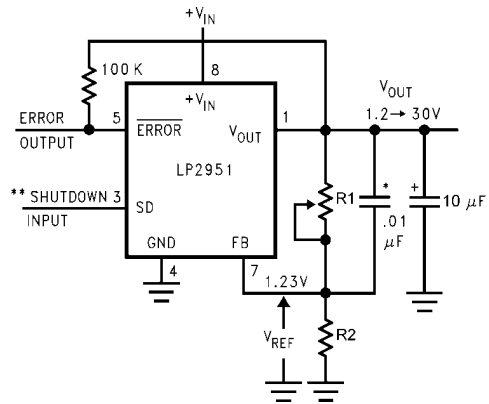
The LP2951 may be pin-strapped for the nominal fixed output voltage using its internal voltage divider by tying the output and sense pins together, and also tying the feedback and  $V_{\text{TAP}}$  pins together. Alternatively, it may be programmed for any output voltage between its 1.235V reference and its 30V maximum rating. As seen in Figure 4, an external pair of resistors is required.

The complete equation for the output voltage is

$$V_{\text{OUT}} = V_{\text{REF}} \cdot \left( 1 + \frac{R_1}{R_2} \right) + I_{\text{FB}}R_1$$

where  $V_{\text{REF}}$  is the nominal 1.235V reference voltage and  $I_{\text{FB}}$  is the feedback pin bias current, nominally -20nA. The minimum recommended load current of 1  $\mu\text{A}$  forces an upper limit of 1.2 M $\Omega$  on the value of  $R_2$ , if the regulator must work with no load (a condition often found in CMOS in standby).  $I_{\text{FB}}$  will

produce a 2% typical error in  $V_{\text{OUT}}$  which may be eliminated at room temperature by trimming  $R_1$ . For better accuracy, choosing  $R_2 = 100\text{ k}\Omega$  reduces this error to 0.17% while increasing the resistor program current to 12  $\mu\text{A}$ . Since the LP2951 typically draws 60  $\mu\text{A}$  at no load with Pin 2 open-circuited, this is a small price to pay.



\*See Application Hints

854607

$$V_{\text{out}} = V_{\text{Ref}} \left( 1 + \frac{R_1}{R_2} \right)$$

\*\*Drive with TTL-high to shut down. Ground or leave open if shutdown feature is not to be used.

**Note:** Pins 2 and 6 are left open.

FIGURE 4. Adjustable Regulator

Stray capacitance to the LP2951 Feedback terminal can cause instability. This may especially be a problem when using high value external resistors to set the output voltage. Adding a 100 pF capacitor between the Output pin and the Feedback pin, and increasing the output capacitor to at least 3.3  $\mu\text{F}$ , will fix this problem.

**REDUCING OUTPUT NOISE**

In reference applications it may be advantageous to reduce the AC noise present at the output. One method is to reduce the regulator bandwidth by increasing the size of the output capacitor. This is the only way noise can be reduced on the 3 lead LP2950 but is relatively inefficient, as increasing the capacitor from 1  $\mu\text{F}$  to 220  $\mu\text{F}$  only decreases the noise from 430  $\mu\text{V}_{\text{(RMS)}}$  to 160  $\mu\text{V}_{\text{(RMS)}}$  for a 100 kHz bandwidth at 5V output.

Noise can be reduced fourfold by a bypass capacitor across  $R_1$ , since it reduces the high frequency gain from 4 to unity. Pick

$$C_{\text{BYPASS}} \cong \frac{1}{2\pi R_1 \cdot 200\text{ Hz}}$$

or about 0.01  $\mu\text{F}$ . When doing this, the output capacitor must be increased to 3.3  $\mu\text{F}$  to maintain stability. These changes reduce the output noise from 430 $\mu\text{V}$  to 100 $\mu\text{V}$  rms for a 100 kHz bandwidth at 5V output. With the bypass capacitor added, noise no longer scales with output voltage so that improvements are more dramatic at higher output voltages.

## LLP MOUNTING

The SDC08A (No Pullback) 8-Lead LLP package requires specific mounting techniques which are detailed in National Semiconductor Application Note # 1187. Referring to the section **PCB Design Recommendations** in AN-1187 (Page 5), it should be noted that the pad style which should be used with the LLP package is the NSMD (non-solder mask defined) type. Additionally, it is recommended the PCB terminal pads to be 0.2 mm longer than the package pads to create a solder fillet to improve reliability and inspection.

The thermal dissipation of the LLP package is directly related to the printed circuit board construction and the amount of additional copper area connected to the DAP.

The DAP (exposed pad) on the bottom of the LLP package is connected to the die substrate with a conductive die attach adhesive. The DAP has no direct electrical (wire) connection to any of the eight pins. There is a parasitic PN junction between the die substrate and the device ground. As such, it is strongly recommend that the DAP be connected directly to the ground at device lead 4 (i.e. GND). Alternately, but not recommended, the DAP may be left floating (i.e. no electrical

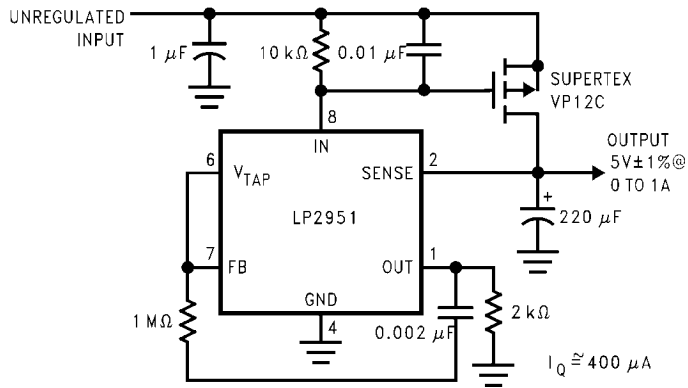
connection). The DAP must not be connected to any potential other than ground.

For the LP2951 in the SDC08A 8-Lead LLP package, the junction-to-case thermal rating,  $\theta_{JC}$ , is 14.2°C/W, where the case is the bottom of the package at the center of the DAP. The junction-to-ambient thermal performance for the LP2951 in the SDC08A 8-Lead LLP package, using the JEDEC JESD51 standards is summarized in the following table:

Board Type	Thermal Vias	$\theta_{JC}$	$\theta_{JA}$
JEDEC 2-Layer JESD 51-3	None	14.2°C/W	185°C/W
JEDEC 4-Layer JESD 51-7	1	14.2°C/W	68°C/W
	2	14.2°C/W	60°C/W
	4	14.2°C/W	51°C/W
	6	14.2°C/W	48°C/W

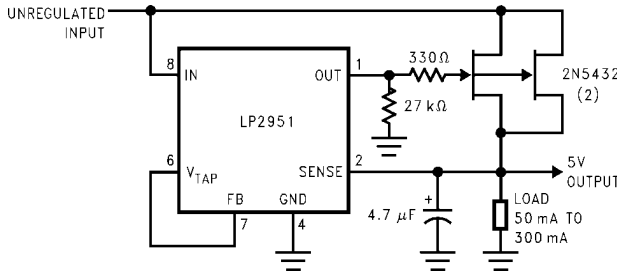
# Typical Applications

**1A Regulator with 1.2V Dropout**



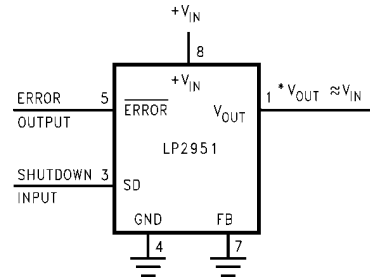
854622

**300mA Regulator with 0.75V Dropout**



854621

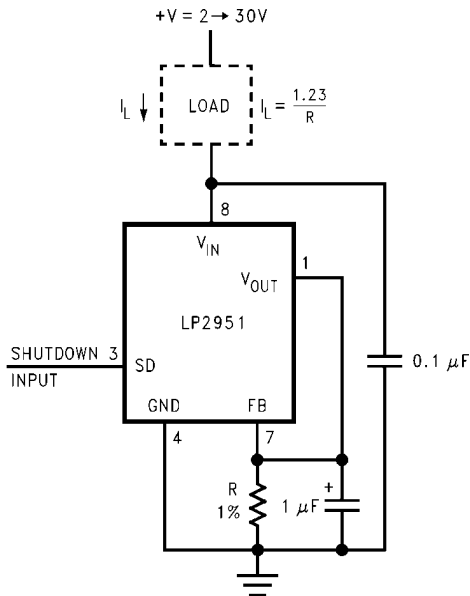
**Wide Input Voltage Range Current Limiter**



854609

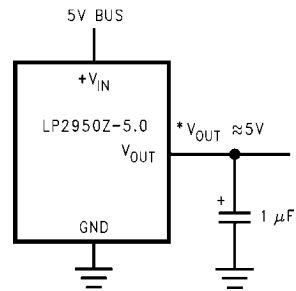
\*Minimum input-output voltage ranges from 40mV to 400mV, depending on load current. Current limit is typically 160mA.

**Low Drift Current Source**



854608

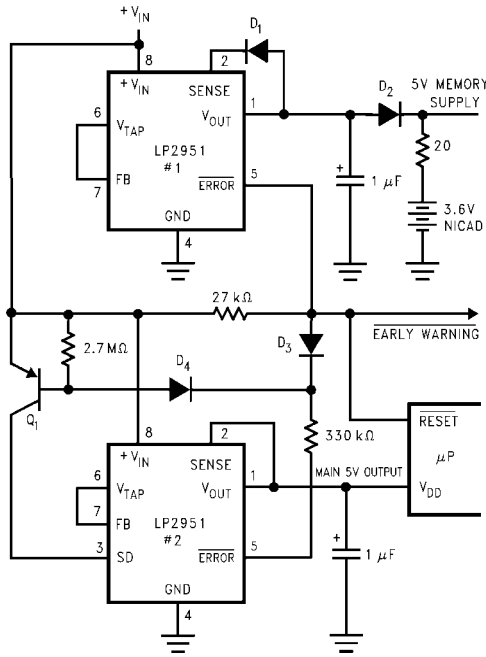
**5 Volt Current Limiter**



854610

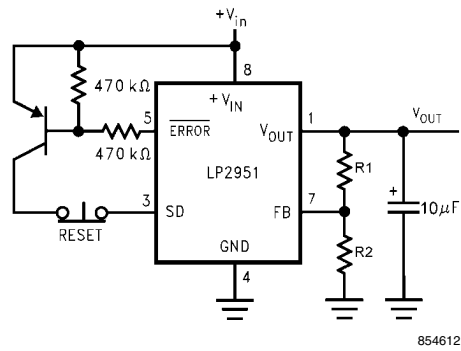
\*Minimum input-output voltage ranges from 40mV to 400mV, depending on load current. Current limit is typically 160mA.

**Regulator with Early Warning and Auxiliary Output**



854611

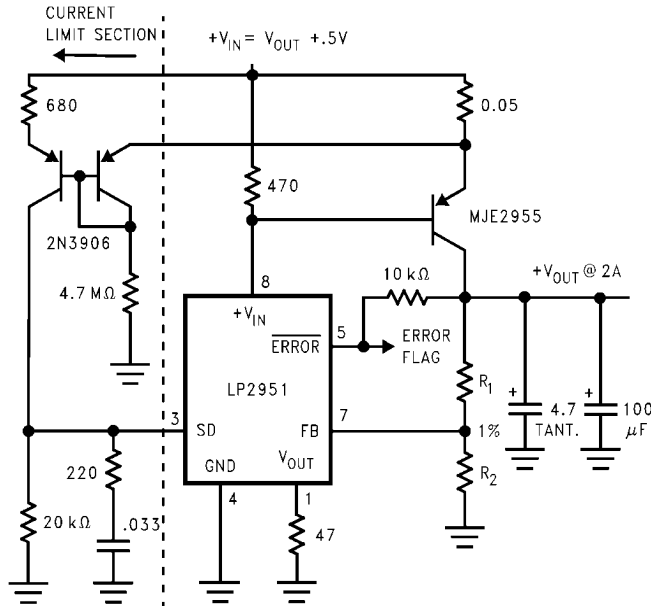
**Latch Off When Error Flag Occurs**



854612

- Early warning flag on low input voltage
- Main output latches off at lower input voltages
- Battery backup on auxiliary output
- Operation: Reg. #1's  $V_{OUT}$  is programmed one diode drop above 5V. Its error flag becomes active when  $V_{IN} \leq 5.7V$ . When  $V_{IN}$  drops below 5.3V, the error flag of Reg. #2 becomes active and via Q1 latches the main output off. When  $V_{IN}$  again exceeds 5.7V Reg. #1 is back in regulation and the early warning signal rises, unlatching Reg. #2 via D3.

**2 Ampere Low Dropout Regulator**

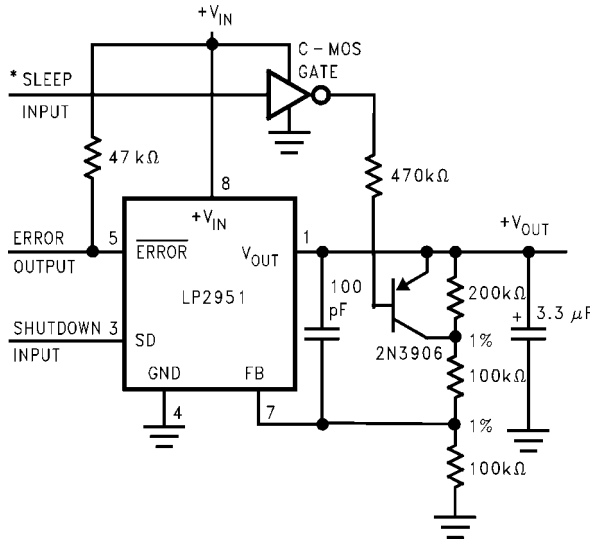


854613

$$V_{out} = 1.23V \left( 1 + \frac{R_1}{R_2} \right)$$

For 5V<sub>out</sub>, use internal resistors. Wire pin 6 to 7, & wire pin 2 to +V<sub>out</sub> Bus.

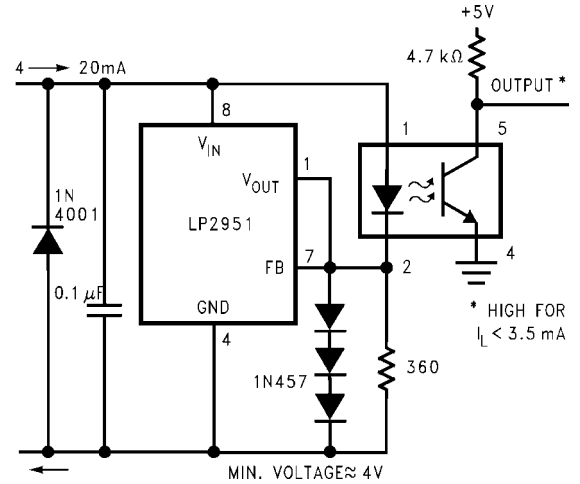
5V Regulator with 2.5V Sleep Function



854614

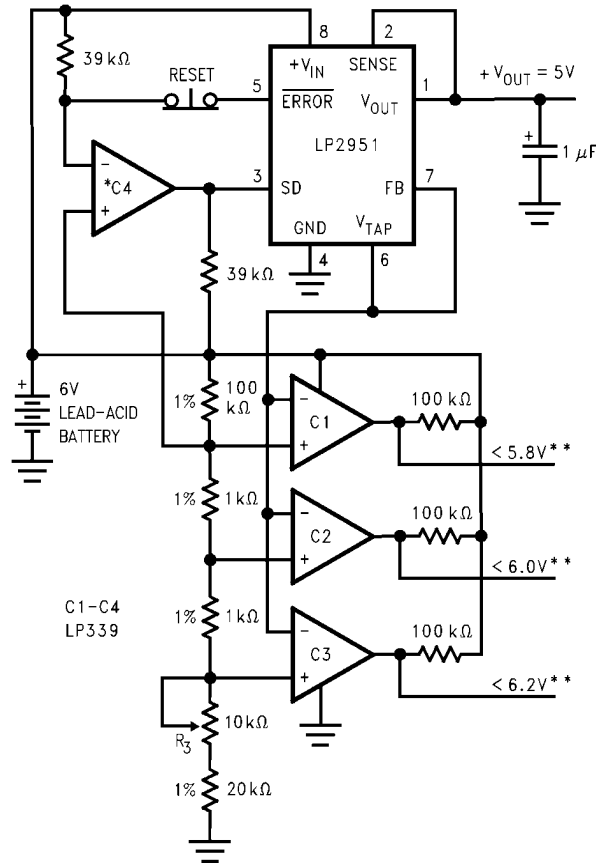
\*High input lowers  $V_{out}$  to 2.5V

Open Circuit Detector for 4 → 20mA Current Loop



854615

Regulator with State-of-Charge Indicator

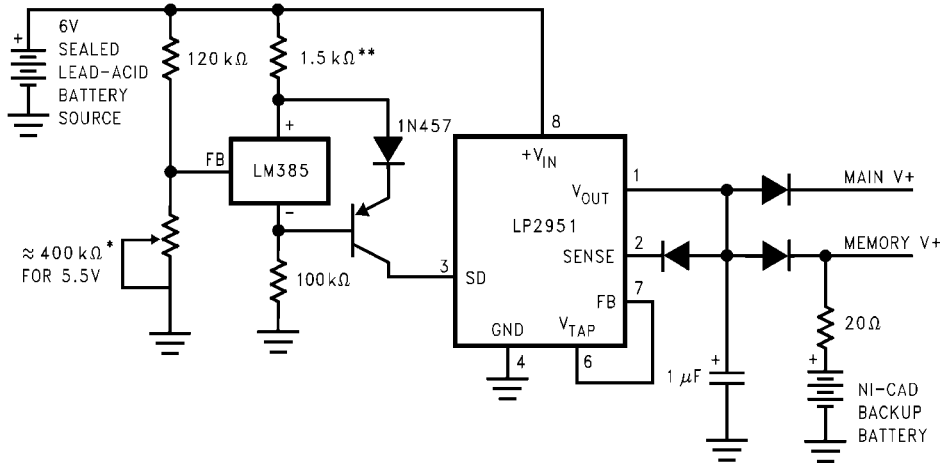


854616

\*Optional Latch off when drop out occurs. Adjust R3 for C2 Switching when  $V_{in}$  is 6.0V.

\*\*Outputs go low when  $V_{in}$  drops below designated thresholds.

**Low Battery Disconnect**



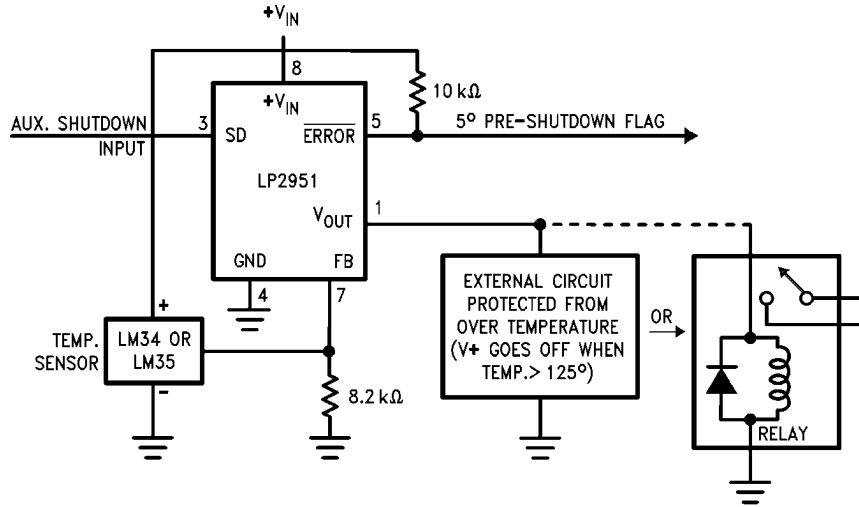
854617

For values shown, Regulator shuts down when  $V_{in} < 5.5V$  and turns on again at 6.0V. Current drain in disconnected mode is  $\approx 150\mu A$ .

\*Sets disconnect Voltage

\*\*Sets disconnect Hysteresis

**System Overtemperature Protection Circuit**

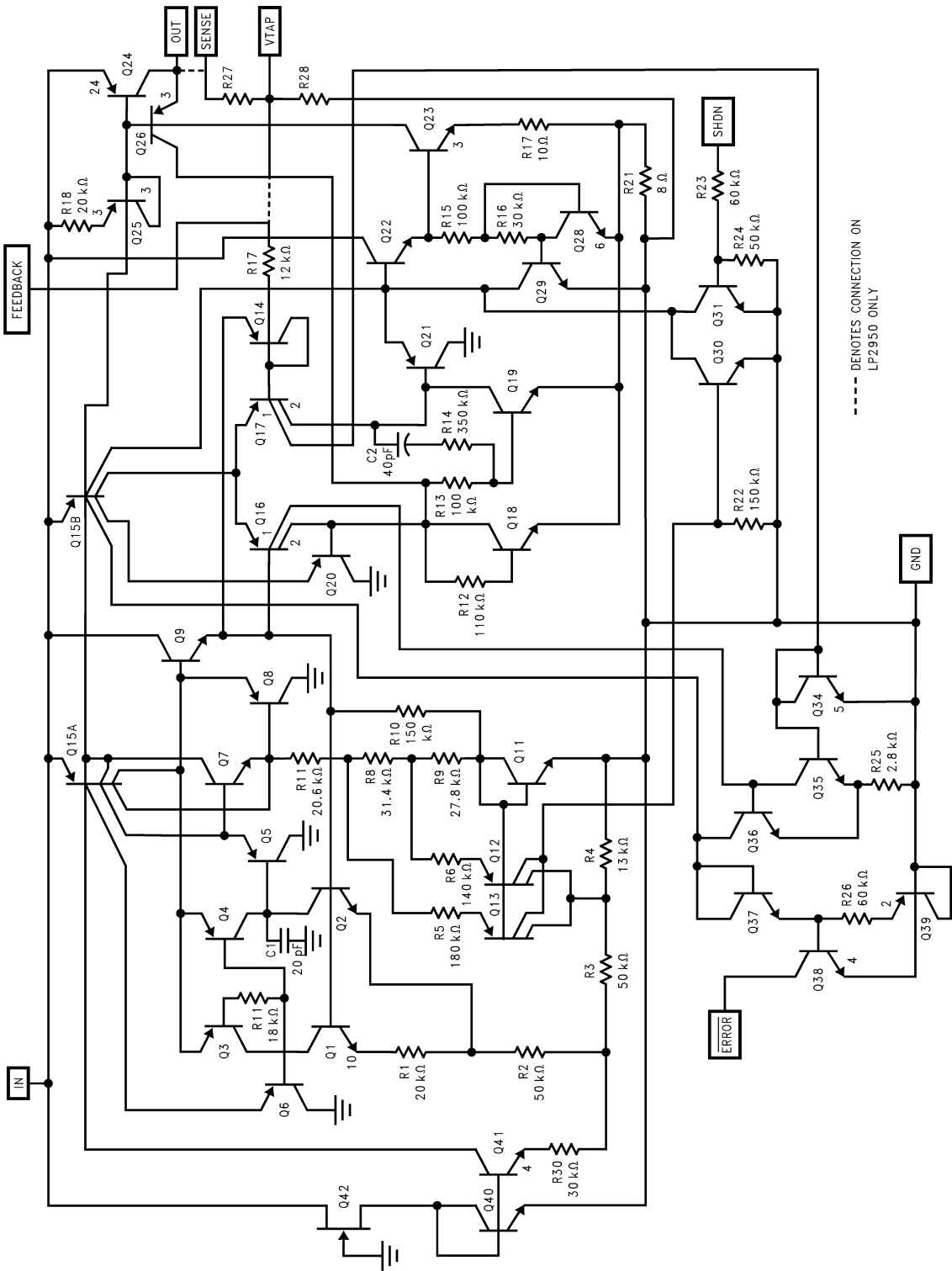


854618

LM34 for 125°F Shutdown

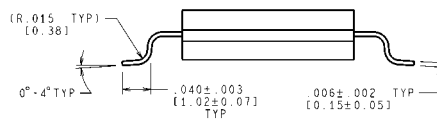
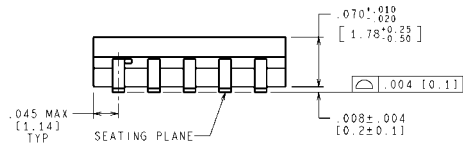
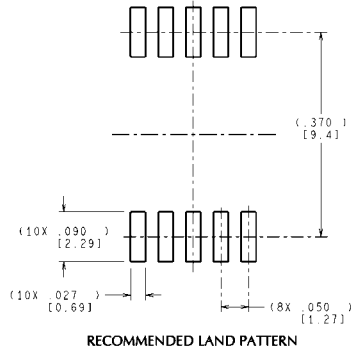
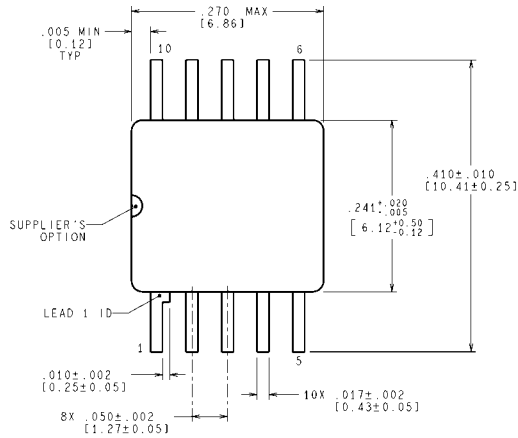
LM35 for 125°C Shutdown

# Schematic Diagram



854623

**Physical Dimensions** inches (millimeters) unless otherwise noted

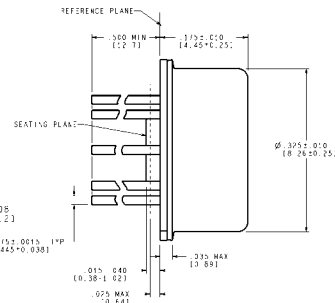
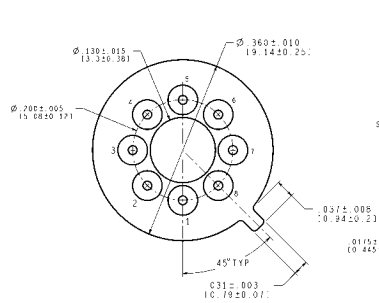


ML-PRF-38535  
CONFIGURATION CONTROL

CONTROLLING DIMENSION IS INCH  
VALUES IN [ ] ARE MILLIMETERS  
DIMENSIONS IN ( ) FOR REFERENCE ONLY

WG10A (Rev F)

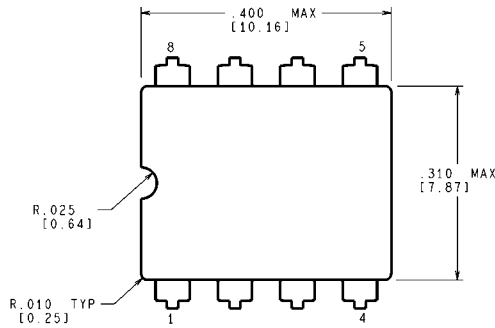
**Order Number LP2951WG/883**  
**NS Package Number WG10A**



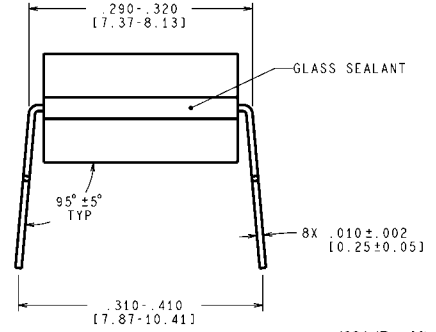
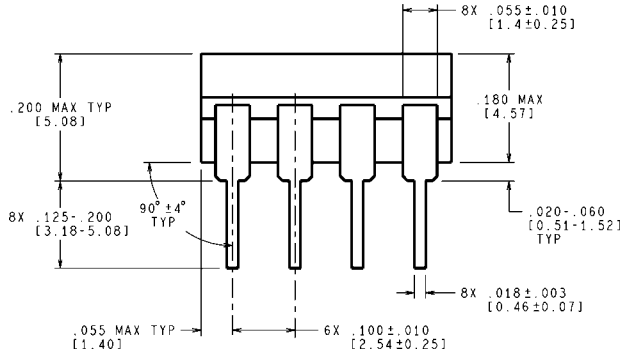
CONTROLLING DIMENSION IS INCH  
VALUES IN [ ] ARE IN MILLIMETERS  
**Metal Can Package (H)**  
**NS Package Number H08C**

H08C (Rev F)



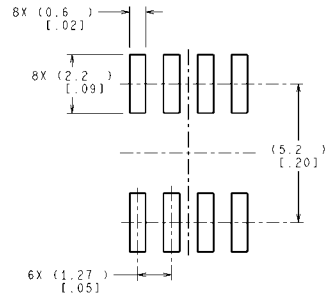
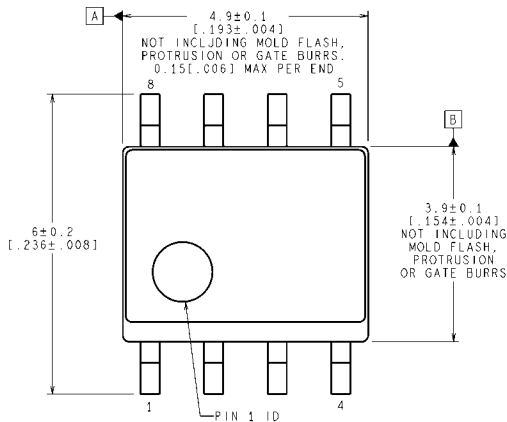


CONTROLLING DIMENSION IS INCH  
VALUES IN [ ] ARE MILLIMETERS

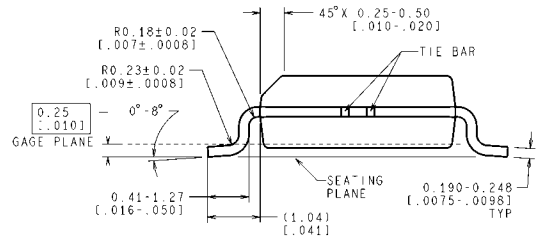
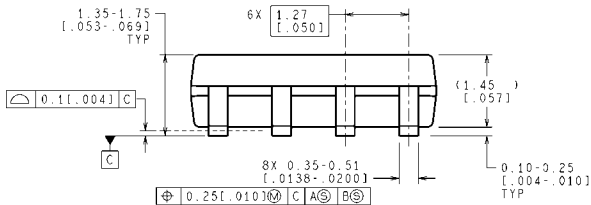


J08A (Rev M)

**Ceramic Dual-In-Line Package (J)**  
**NS Package Number J08A**



RECOMMENDED LAND PATTERN

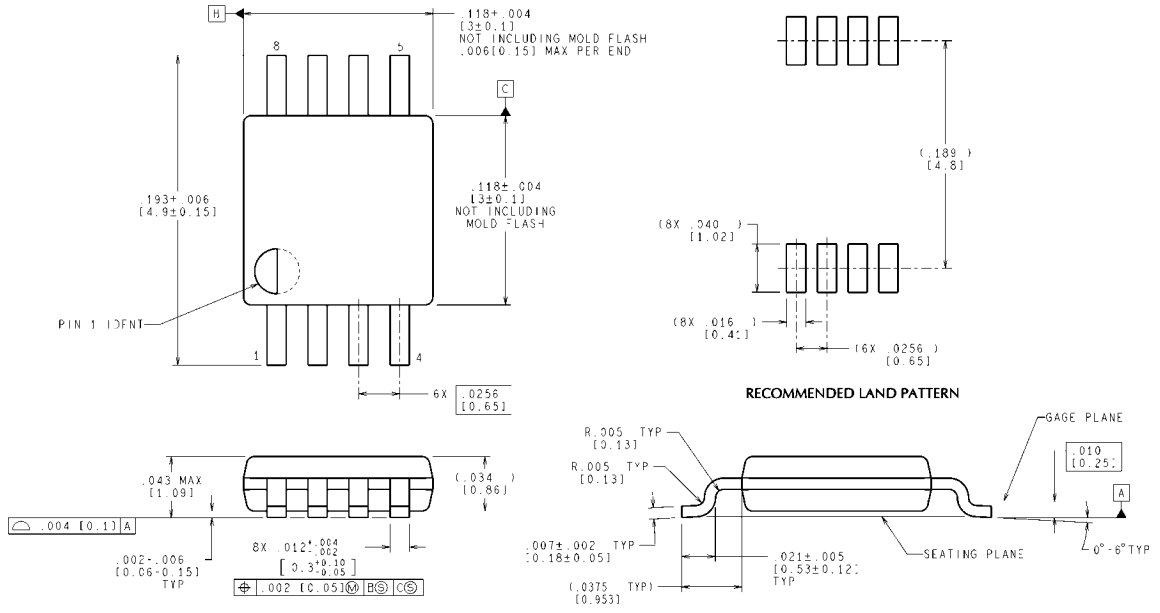


CONTROLLING DIMENSION IS MILLIMETER  
VALUES IN [ ] ARE INCHES  
DIMENSIONS IN ( ) FOR REFERENCE ONLY

M08A (Rev M)

**Surface Mount Package (M)**  
**NS Package Number M08A**

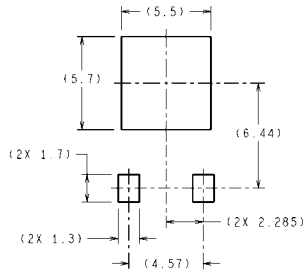




CONTROLLING DIMENSION IS INCH  
VALUES IN [ ] ARE MILLIMETERS

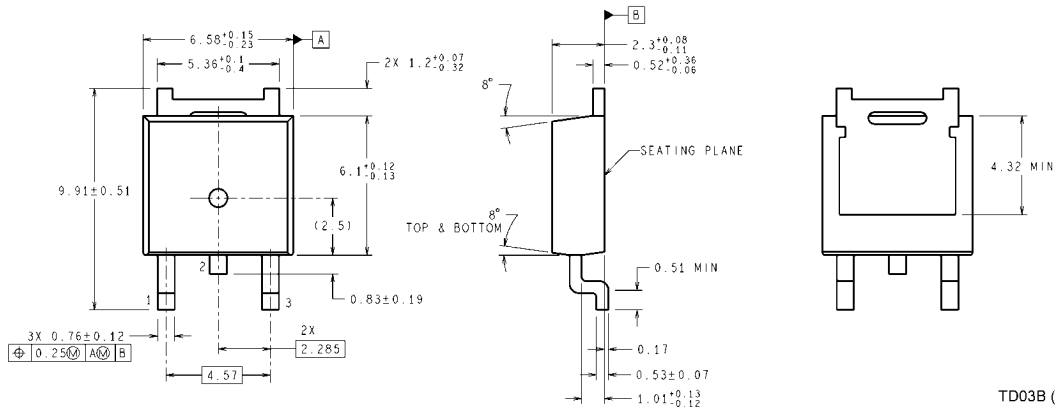
**Surface Mount Package (MM)  
NS Package Number MUA08A**

MUA08A (Rev F)



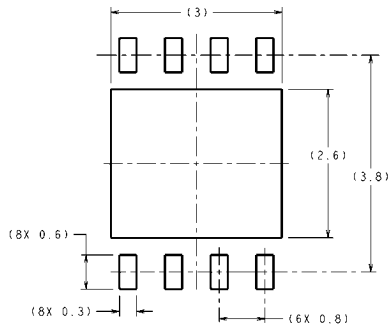
DIMENSIONS ARE IN MILLIMETERS

**LAND PATTERN RECOMMENDATION**

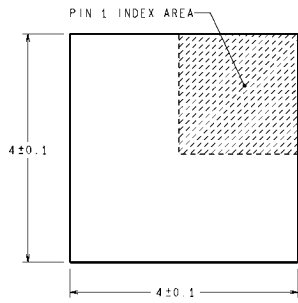


**D-Pak Package  
NS Package Number TD03B**

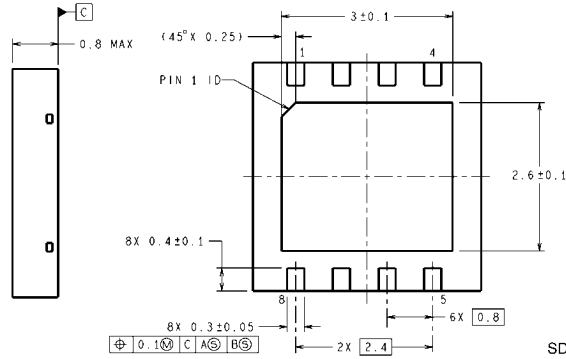
TD03B (Rev E)



RECOMMENDED LAND PATTERN



DIMENSIONS ARE IN MILLIMETERS  
DIMENSIONS IN ( ) FOR REFERENCE ONLY



SDC08A (Rev A)

**LLP Package**  
**NS Package Number SDC08A**

## Notes

For more National Semiconductor product information and proven design tools, visit the following Web sites at:  
[www.national.com](http://www.national.com)

Products		Design Support	
Amplifiers	<a href="http://www.national.com/amplifiers">www.national.com/amplifiers</a>	WEBENCH® Tools	<a href="http://www.national.com/webench">www.national.com/webench</a>
Audio	<a href="http://www.national.com/audio">www.national.com/audio</a>	App Notes	<a href="http://www.national.com/appnotes">www.national.com/appnotes</a>
Clock and Timing	<a href="http://www.national.com/timing">www.national.com/timing</a>	Reference Designs	<a href="http://www.national.com/refdesigns">www.national.com/refdesigns</a>
Data Converters	<a href="http://www.national.com/adc">www.national.com/adc</a>	Samples	<a href="http://www.national.com/samples">www.national.com/samples</a>
Interface	<a href="http://www.national.com/interface">www.national.com/interface</a>	Eval Boards	<a href="http://www.national.com/evalboards">www.national.com/evalboards</a>
LVDS	<a href="http://www.national.com/lvds">www.national.com/lvds</a>	Packaging	<a href="http://www.national.com/packaging">www.national.com/packaging</a>
Power Management	<a href="http://www.national.com/power">www.national.com/power</a>	Green Compliance	<a href="http://www.national.com/quality/green">www.national.com/quality/green</a>
Switching Regulators	<a href="http://www.national.com/switchers">www.national.com/switchers</a>	Distributors	<a href="http://www.national.com/contacts">www.national.com/contacts</a>
LDOs	<a href="http://www.national.com/ldo">www.national.com/ldo</a>	Quality and Reliability	<a href="http://www.national.com/quality">www.national.com/quality</a>
LED Lighting	<a href="http://www.national.com/led">www.national.com/led</a>	Feedback/Support	<a href="http://www.national.com/feedback">www.national.com/feedback</a>
Voltage References	<a href="http://www.national.com/vref">www.national.com/vref</a>	Design Made Easy	<a href="http://www.national.com/easy">www.national.com/easy</a>
PowerWise® Solutions	<a href="http://www.national.com/powerwise">www.national.com/powerwise</a>	Applications & Markets	<a href="http://www.national.com/solutions">www.national.com/solutions</a>
Serial Digital Interface (SDI)	<a href="http://www.national.com/sdi">www.national.com/sdi</a>	Mil/Aero	<a href="http://www.national.com/milaero">www.national.com/milaero</a>
Temperature Sensors	<a href="http://www.national.com/tempensors">www.national.com/tempensors</a>	SolarMagic™	<a href="http://www.national.com/solarmagic">www.national.com/solarmagic</a>
PLL/VCO	<a href="http://www.national.com/wireless">www.national.com/wireless</a>	PowerWise® Design University	<a href="http://www.national.com/training">www.national.com/training</a>

THE CONTENTS OF THIS DOCUMENT ARE PROVIDED IN CONNECTION WITH NATIONAL SEMICONDUCTOR CORPORATION ("NATIONAL") PRODUCTS. NATIONAL MAKES NO REPRESENTATIONS OR WARRANTIES WITH RESPECT TO THE ACCURACY OR COMPLETENESS OF THE CONTENTS OF THIS PUBLICATION AND RESERVES THE RIGHT TO MAKE CHANGES TO SPECIFICATIONS AND PRODUCT DESCRIPTIONS AT ANY TIME WITHOUT NOTICE. NO LICENSE, WHETHER EXPRESS, IMPLIED, ARISING BY ESTOPPEL OR OTHERWISE, TO ANY INTELLECTUAL PROPERTY RIGHTS IS GRANTED BY THIS DOCUMENT.

TESTING AND OTHER QUALITY CONTROLS ARE USED TO THE EXTENT NATIONAL DEEMS NECESSARY TO SUPPORT NATIONAL'S PRODUCT WARRANTY. EXCEPT WHERE MANDATED BY GOVERNMENT REQUIREMENTS, TESTING OF ALL PARAMETERS OF EACH PRODUCT IS NOT NECESSARILY PERFORMED. NATIONAL ASSUMES NO LIABILITY FOR APPLICATIONS ASSISTANCE OR BUYER PRODUCT DESIGN. BUYERS ARE RESPONSIBLE FOR THEIR PRODUCTS AND APPLICATIONS USING NATIONAL COMPONENTS. PRIOR TO USING OR DISTRIBUTING ANY PRODUCTS THAT INCLUDE NATIONAL COMPONENTS, BUYERS SHOULD PROVIDE ADEQUATE DESIGN, TESTING AND OPERATING SAFEGUARDS.

EXCEPT AS PROVIDED IN NATIONAL'S TERMS AND CONDITIONS OF SALE FOR SUCH PRODUCTS, NATIONAL ASSUMES NO LIABILITY WHATSOEVER, AND NATIONAL DISCLAIMS ANY EXPRESS OR IMPLIED WARRANTY RELATING TO THE SALE AND/OR USE OF NATIONAL PRODUCTS INCLUDING LIABILITY OR WARRANTIES RELATING TO FITNESS FOR A PARTICULAR PURPOSE, MERCHANTABILITY, OR INFRINGEMENT OF ANY PATENT, COPYRIGHT OR OTHER INTELLECTUAL PROPERTY RIGHT.

#### LIFE SUPPORT POLICY

**NATIONAL'S PRODUCTS ARE NOT AUTHORIZED FOR USE AS CRITICAL COMPONENTS IN LIFE SUPPORT DEVICES OR SYSTEMS WITHOUT THE EXPRESS PRIOR WRITTEN APPROVAL OF THE CHIEF EXECUTIVE OFFICER AND GENERAL COUNSEL OF NATIONAL SEMICONDUCTOR CORPORATION.** As used herein:

Life support devices or systems are devices which (a) are intended for surgical implant into the body, or (b) support or sustain life and whose failure to perform when properly used in accordance with instructions for use provided in the labeling can be reasonably expected to result in a significant injury to the user. A critical component is any component in a life support device or system whose failure to perform can be reasonably expected to cause the failure of the life support device or system or to affect its safety or effectiveness.

National Semiconductor and the National Semiconductor logo are registered trademarks of National Semiconductor Corporation. All other brand or product names may be trademarks or registered trademarks of their respective holders.

Copyright© 2011 National Semiconductor Corporation

For the most current product information visit us at [www.national.com](http://www.national.com)



**National Semiconductor Americas Technical Support Center**  
 Email: [support@nsc.com](mailto:support@nsc.com)  
 Tel: 1-800-272-9959

**National Semiconductor Europe Technical Support Center**  
 Email: [europe.support@nsc.com](mailto:europe.support@nsc.com)

**National Semiconductor Asia Pacific Technical Support Center**  
 Email: [ap.support@nsc.com](mailto:ap.support@nsc.com)

**National Semiconductor Japan Technical Support Center**  
 Email: [jpn.feedback@nsc.com](mailto:jpn.feedback@nsc.com)

## IMPORTANT NOTICE

Texas Instruments Incorporated and its subsidiaries (TI) reserve the right to make corrections, modifications, enhancements, improvements, and other changes to its products and services at any time and to discontinue any product or service without notice. Customers should obtain the latest relevant information before placing orders and should verify that such information is current and complete. All products are sold subject to TI's terms and conditions of sale supplied at the time of order acknowledgment.

TI warrants performance of its hardware products to the specifications applicable at the time of sale in accordance with TI's standard warranty. Testing and other quality control techniques are used to the extent TI deems necessary to support this warranty. Except where mandated by government requirements, testing of all parameters of each product is not necessarily performed.

TI assumes no liability for applications assistance or customer product design. Customers are responsible for their products and applications using TI components. To minimize the risks associated with customer products and applications, customers should provide adequate design and operating safeguards.

TI does not warrant or represent that any license, either express or implied, is granted under any TI patent right, copyright, mask work right, or other TI intellectual property right relating to any combination, machine, or process in which TI products or services are used. Information published by TI regarding third-party products or services does not constitute a license from TI to use such products or services or a warranty or endorsement thereof. Use of such information may require a license from a third party under the patents or other intellectual property of the third party, or a license from TI under the patents or other intellectual property of TI.

Reproduction of TI information in TI data books or data sheets is permissible only if reproduction is without alteration and is accompanied by all associated warranties, conditions, limitations, and notices. Reproduction of this information with alteration is an unfair and deceptive business practice. TI is not responsible or liable for such altered documentation. Information of third parties may be subject to additional restrictions.

Resale of TI products or services with statements different from or beyond the parameters stated by TI for that product or service voids all express and any implied warranties for the associated TI product or service and is an unfair and deceptive business practice. TI is not responsible or liable for any such statements.

TI products are not authorized for use in safety-critical applications (such as life support) where a failure of the TI product would reasonably be expected to cause severe personal injury or death, unless officers of the parties have executed an agreement specifically governing such use. Buyers represent that they have all necessary expertise in the safety and regulatory ramifications of their applications, and acknowledge and agree that they are solely responsible for all legal, regulatory and safety-related requirements concerning their products and any use of TI products in such safety-critical applications, notwithstanding any applications-related information or support that may be provided by TI. Further, Buyers must fully indemnify TI and its representatives against any damages arising out of the use of TI products in such safety-critical applications.

TI products are neither designed nor intended for use in military/aerospace applications or environments unless the TI products are specifically designated by TI as military-grade or "enhanced plastic." Only products designated by TI as military-grade meet military specifications. Buyers acknowledge and agree that any such use of TI products which TI has not designated as military-grade is solely at the Buyer's risk, and that they are solely responsible for compliance with all legal and regulatory requirements in connection with such use.

TI products are neither designed nor intended for use in automotive applications or environments unless the specific TI products are designated by TI as compliant with ISO/TS 16949 requirements. Buyers acknowledge and agree that, if they use any non-designated products in automotive applications, TI will not be responsible for any failure to meet such requirements.

Following are URLs where you can obtain information on other Texas Instruments products and application solutions:

### Products

Audio	<a href="http://www.ti.com/audio">www.ti.com/audio</a>
Amplifiers	<a href="http://amplifier.ti.com">amplifier.ti.com</a>
Data Converters	<a href="http://dataconverter.ti.com">dataconverter.ti.com</a>
DLP® Products	<a href="http://www.dlp.com">www.dlp.com</a>
DSP	<a href="http://dsp.ti.com">dsp.ti.com</a>
Clocks and Timers	<a href="http://www.ti.com/clocks">www.ti.com/clocks</a>
Interface	<a href="http://interface.ti.com">interface.ti.com</a>
Logic	<a href="http://logic.ti.com">logic.ti.com</a>
Power Mgmt	<a href="http://power.ti.com">power.ti.com</a>
Microcontrollers	<a href="http://microcontroller.ti.com">microcontroller.ti.com</a>
RFID	<a href="http://www.ti-rfid.com">www.ti-rfid.com</a>
OMAP Mobile Processors	<a href="http://www.ti.com/omap">www.ti.com/omap</a>
Wireless Connectivity	<a href="http://www.ti.com/wirelessconnectivity">www.ti.com/wirelessconnectivity</a>

### Applications

Communications and Telecom	<a href="http://www.ti.com/communications">www.ti.com/communications</a>
Computers and Peripherals	<a href="http://www.ti.com/computers">www.ti.com/computers</a>
Consumer Electronics	<a href="http://www.ti.com/consumer-apps">www.ti.com/consumer-apps</a>
Energy and Lighting	<a href="http://www.ti.com/energy">www.ti.com/energy</a>
Industrial	<a href="http://www.ti.com/industrial">www.ti.com/industrial</a>
Medical	<a href="http://www.ti.com/medical">www.ti.com/medical</a>
Security	<a href="http://www.ti.com/security">www.ti.com/security</a>
Space, Avionics and Defense	<a href="http://www.ti.com/space-avionics-defense">www.ti.com/space-avionics-defense</a>
Transportation and Automotive	<a href="http://www.ti.com/automotive">www.ti.com/automotive</a>
Video and Imaging	<a href="http://www.ti.com/video">www.ti.com/video</a>

TI E2E Community Home Page

[e2e.ti.com](http://e2e.ti.com)

Mailing Address: Texas Instruments, Post Office Box 655303, Dallas, Texas 75265  
Copyright © 2011, Texas Instruments Incorporated